

(19) World Intellectual Property Organization
International Bureau



(43) International Publication Date
8 June 2006 (08.06.2006)

PCT

(10) International Publication Number
WO 2006/060795 A1

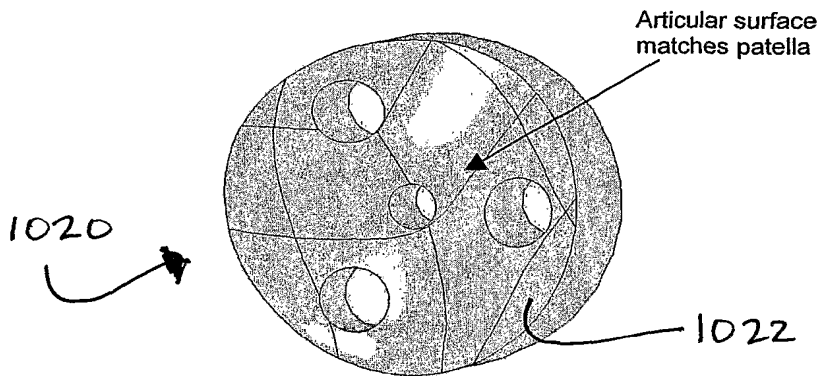
- (51) International Patent Classification:
A61B 17/17 (2006.01) A61B 17/15 (2006.01)
- (21) International Application Number:
PCT/US2005/044008
- (22) International Filing Date:
2 December 2005 (02.12.2005)
- (25) Filing Language: English
- (26) Publication Language: English
- (30) Priority Data:
11/002,573 2 December 2004 (02.12.2004) US
- (71) Applicant (for all designated States except US): **CON-FORMIS, INC.** [US/US]; 1720 South Amphlett Boulevard, Suite 240, San Mateo, CA 94402 (US).
- (72) Inventors; and
- (75) Inventors/Applicants (for US only): **BURDULIS, Albert, G., Jr.** [US/US]; 935 Rockdale Drive, San Francisco, CA 94127 (US). **FITZ, Wolfgang** [DE/US]; 53 Lake Street, Sherborn, MA 01770 (US). **VARGAS-VO-RACEK, Rene** [BO/US]; 1119 Lorne Way, Sunnyvale, CA 94087 (US).
- (74) Agents: **SUNSTEIN, Bruce, D.** et al.; Bromberg & Sunstein LLP, 125 Summer Street, Boston, MA 02110-1618 (US).

- (81) Designated States (unless otherwise indicated, for every kind of national protection available): AE, AG, AL, AM, AT, AU, AZ, BA, BB, BG, BR, BW, BY, BZ, CA, CH, CN, CO, CR, CU, CZ, DE, DK, DM, DZ, EC, EE, EG, ES, FI, GB, GD, GE, GH, GM, HR, HU, ID, IL, IN, IS, JP, KE, KG, KM, KN, KP, KR, KZ, LC, LK, LR, LS, LT, LU, LV, LY, MA, MD, MG, MK, MN, MW, MX, MZ, NA, NG, NI, NO, NZ, OM, PG, PH, PL, PT, RO, RU, SC, SD, SE, SG, SK, SL, SM, SY, TJ, TM, TN, TR, TT, TZ, UA, UG, US, UZ, VC, VN, YU, ZA, ZM, ZW.
- (84) Designated States (unless otherwise indicated, for every kind of regional protection available): ARIPO (BW, GH, GM, KE, LS, MW, MZ, NA, SD, SL, SZ, TZ, UG, ZM, ZW), Eurasian (AM, AZ, BY, KG, KZ, MD, RU, TJ, TM), European (AT, BE, BG, CH, CY, CZ, DE, DK, EE, ES, FI, FR, GB, GR, HU, IE, IS, IT, LT, LU, LV, MC, NL, PL, PT, RO, SE, SI, SK, TR), OAPI (BF, BJ, CF, CG, CI, CM, GA, GN, GQ, GW, ML, MR, NE, SN, TD, TG).

- Published:**
- with international search report
 - before the expiration of the time limit for amending the claims and to be republished in the event of receipt of amendments

For two-letter codes and other abbreviations, refer to the "Guidance Notes on Codes and Abbreviations" appearing at the beginning of each regular issue of the PCT Gazette.

(54) Title: SURGICAL TOOLS FACILITATING INCREASED ACCURACY, SPEED AND SIMPLICITY IN PERFORMING JOINT ARTHROPLASTY



(57) Abstract: Disclosed herein are tools (1020) for repairing articular surfaces repair materials and for repairing an articular surface. The surgical tools are designed to be customizable or highly selectable by patient to increase the speed, accuracy and simplicity of performing total or partial arthroplasty.

WO 2006/060795 A1

Surgical Tools Facilitating Increased Accuracy, Speed and Simplicity in Performing Joint Arthroplasty

FIELD OF THE INVENTION

The present invention relates to methods, systems and devices for articular resurfacing. The present invention includes surgical molds designed to achieve optimal cut planes in a joint in preparation for installation of a joint implant.

BACKGROUND OF THE INVENTION

A variety of tools are available to assist surgeons in performing joint surgery. In the knee, for example, U.S. Pat. No. 4, 501, 266 to McDaniel issued Feb. 26, 1985 discloses a knee distraction device that facilitates knee arthroplasty. The device has an adjustable force calibration mechanism that enables the device to accommodate controlled selection of the ligament-tensioning force to be applied to the respective, opposing sides of the knee. U.S. Pat. No. 5,002,547 to Poggie et al. issued Mar. 26, 1991 discloses a modular apparatus for use in preparing the bone surface for implantation of a modular total knee prosthesis. The apparatus has cutting guides, templates, alignment devices along with a distractor and clamping instruments that provide modularity and facilitate bone resection and prosthesis implantation. U.S. Pat. No. 5,250,050 to Poggie et al. issued Oct. 5, 1993 is also directed to a modular apparatus for use in preparing a bone surface for the implantation of a modular total knee prosthesis. U.S. Pat. No. 5,387,216 to Thornhill et al. issued Feb. 7, 1995 discloses instrumentation for use in knee revision surgery. A bearing sleeve is provided that is inserted into the damaged canal in order to take up additional volume. The rod passes through the sleeve and is positioned to meet the natural canal of the bone. The rod is then held in a fixed position by the bearing sleeve. A cutting guide can then be mounted on the rod for cutting the bone and to provide a mounting surface for the implant. U.S. Pat. No. 6,056,756 to Eng et al. issued May 2, 2000 discloses a tool for preparing the distal femoral end for a prosthetic implant. The tool lays out the resection for prosthetic replacement and includes a jack for pivotally supporting an opposing bone such that the jack raises the opposing bone in flexion to the spacing of the intended prosthesis. U.S. Pat. No. 6,106,529 to Techiera issued Aug. 22,

2000 discloses an epicondylar axis referencing drill guide for use in resection to prepare a bone end for prosthetic joint replacement. U.S. Pat. No. 6,296,646 to Williamson issued Oct. 2, 2001 discloses a system that allows a practitioner to position the leg in the alignment that is directed at the end of the implant procedure and to cut both the femur and tibia while the leg is fixed in alignment. U.S. Pat. No. 6,620,168 to Lombardi et al. issued Sep. 16, 2003 discloses a tool for intermedullary revision surgery along with tibial components.

U.S. Pat. No. 5,578,037 to Sanders et al. issued Nov. 26, 1996 discloses a surgical guide for femoral resection. The guide enables a surgeon to resect a femoral neck during a hip arthroplasty procedure so that the femoral prosthesis can be implanted to preserve or closely approximate the anatomic center of rotation of the hip.

Currently available tools do not always enable the surgeon to make the most accurate cuts on the bone surface in preparing the target joint for implantation.

Thus, there remains a need for tools that improve the accuracy of the joint resurfacing process.

SUMMARY OF THE INVENTION

In an aspect of the invention, surgical tools for preparing a joint to receive an implant are described, for example a tool comprising one or more surfaces or members that conform at least partially to the shape of the articular surfaces of the joint (e.g., a femoral condyle and/or tibial plateau of a knee joint). In certain embodiments, the tool comprises Lucite silastic and/or other polymers or suitable materials. The tool can be re-useable or single-use. The tool can be comprised of a single component or multiple components. In certain embodiments, the tool comprises an array of adjustable, closely spaced pins.

The tool comprises: a mold having a surface for engaging a joint surface; a block that communicates with the mold; and at least one guide aperture in the block. Another tool is disclosed that is formed at least partially in situ and comprises: a mold formed in situ using at least one of an inflatable hollow device or a retaining device to conform to the joint surface on at least one surface having a surface for engaging a joint surface; a block that communicates with the mold; and at least one guide aperture in the block.

In accordance with various embodiments of the invention, a drill-guide for engaging a surface of a patella is presented. The drill guide includes a mold having a first surface that is configured to substantially match the surface of the patella. The mold

may include one or more apertures. The mold may include an aperture that is substantially centered within the drill-guide. Alternatively, the aperture(s) may be off-center. The entire portion of the first surface may be configured to match the patella. The mold may be selected from a library of molds and/or may be patient specific.

In accordance with another embodiment of the invention, a method for resurfacing a surface of a patella is presented. The method includes placing a drill-guide configured on at least a portion of a first surface to match at least a portion of a patellar surface on a patella. An aperture is drilled into the surface of the patella through an aperture located on the surface of the drill-guide. The aperture drilled into the surface of the patella is used to position a reamer relative to the patellar surface. The patellar surface is resurfaced using the reamer.

In related embodiments of the invention, the drill-guide may include a mold that includes the first surface. The method may include imaging the portion of the patellar surface, and machining the first surface and/or forming the mold based on the imaging. The method may include selecting the mold from a library of molds. The entire portion of the first surface may be configured to match the patella.

In any of the embodiments and aspects described herein, the joint can be a knee, shoulder, hip, vertebrae, elbow, ankle, wrist etc.

BRIEF DESCRIPTION OF THE DRAWINGS

The file of this patent contains at least one drawing executed in color. Copies of this patent with color drawing(s) will be provided by the Patent and Trademark Office upon request and payment of the necessary fee.

FIG. 1A illustrates a femur, tibia and fibula along with the mechanical and anatomic axes. FIGS. 1B-E illustrate the tibia with the anatomic and mechanical axis used to create a cutting plane along with a cut femur and tibia. FIG. 1F illustrates the proximal end of the femur including the head of the femur.

FIG. 2 shows an example of a surgical tool having one surface matching the geometry of an articular surface of the joint. Also shown is an aperture in the tool capable of controlling drill depth and width of the hole and allowing implantation of an insertion of implant having a press-fit design.

FIG. 3 is a flow chart depicting various methods of the invention used to create a mold for preparing a patient's joint for arthroscopic surgery.

FIG. 4A depicts, in cross-section, an example of a surgical tool containing an aperture through which a surgical drill or saw can fit. The aperture guides the drill or saw to make the proper hole or cut in the underlying bone. Dotted lines represent where the cut corresponding to the aperture will be made in bone. FIG. 4B depicts, in cross-section, an example of a surgical tool containing apertures through which a surgical drill or saw can fit and which guide the drill or saw to make cuts or holes in the bone. Dotted lines represent where the cuts corresponding to the apertures will be made in bone.

FIGS. 5A-Q illustrate tibial cutting blocks and molds used to create a surface perpendicular to the anatomic axis for receiving the tibial portion of a knee implant.

FIGS. 6A-O illustrate femur cutting blocks and molds used to create a surface for receiving the femoral portion of a knee implant.

FIG. 7A-G illustrate patellar cutting blocks and molds used to prepare the patella for receiving a portion of a knee implant.

FIG. 8A-H illustrate femoral head cutting blocks and molds used to create a surface for receiving the femoral portion of a knee implant.

FIG. 9A-D illustrate acetabulum cutting blocks and molds used to create a surface for a hip implant.

FIG. 10A illustrates a patella modeled from CT data. FIGS. 10B-D illustrate a mold guide, and then the mold guide placed on an articular surface of the patella. FIG. 10E illustrates a drill placed into a patella through mold drill guide. FIG. 10F illustrates a reamer used to prepare the patella.

FIG. 11A illustrates a reamer made for each patella size. FIG. 11B illustrates a reamed patella ready for patella implantation.

FIG. 12A-F illustrate a recessed patella implanted on a patella.

DETAILED DESCRIPTION OF THE INVENTION

The following description is presented to enable any person skilled in the art to make and use the invention. Various modifications to the embodiments described will be readily apparent to those skilled in the art, and the generic principles defined herein can be applied to other embodiments and applications without departing from the spirit and scope of the present invention as defined by the appended claims. Thus, the present invention is not intended to be limited to the embodiments shown, but is to be accorded the widest scope consistent with the principles and features disclosed herein. To the extent necessary to achieve a complete understanding of the invention disclosed, the

specification and drawings of all issued patents, patent publications, and patent applications cited in this application are incorporated herein by reference.

As will be appreciated by those of skill in the art, the practice of the present invention employs, unless otherwise indicated, conventional methods of x-ray imaging and processing, x-ray tomosynthesis, ultrasound including A-scan, B-scan and C-scan, computed tomography (CT scan), magnetic resonance imaging (MRI), optical coherence tomography, single photon emission tomography (SPECT) and positron emission tomography (PET) within the skill of the art. Such techniques are explained fully in the literature and need not be described herein. See, e.g., X-Ray Structure Determination: A Practical Guide, 2nd Edition, editors Stout and Jensen, 1989, John Wiley & Sons, publisher; Body CT: A Practical Approach, editor Slone, 1999, McGraw-Hill publisher; X-ray Diagnosis: A Physician's Approach, editor Lam, 1998 Springer-Verlag, publisher; and Dental Radiology: Understanding the X-Ray Image, editor Laetitia Brocklebank 1997, Oxford University Press publisher. See also, The Essential Physics of Medical Imaging (2nd Ed.), Jerrold T. Bushberg, et al.

As described herein, repair systems, including surgical instruments, guides and molds, of various sizes, curvatures and thicknesses can be obtained. These repair systems, including surgical instruments, guides and molds, can be catalogued and stored to create a library of systems from which an appropriate system for an individual patient can then be selected. In other words, a defect, or an articular surface, is assessed in a particular subject and a pre-existing repair system, including surgical instruments, guides and molds, having a suitable shape and size is selected from the library for further manipulation (e.g., shaping) and implantation.

Performing a total knee arthroplasty is a complicated procedure. In replacing the knee with an artificial knee, it is important to get the anatomical and mechanical axes of the lower extremity aligned correctly to ensure optimal functioning of the implanted knee.

As shown in FIG. 1A, the center of the hip **102** (located at the head **130** of the femur **132**), the center of the knee **104** (located at the notch where the intercondylar tubercle **134** of the tibia **136** meet the femur) and ankle **106** lie approximately in a straight line **110** which defines the mechanical axis of the lower extremity. The anatomic axis **120** aligns 5-7° offset θ from the mechanical axis in the valgus, or outward, direction.

The long axis of the tibia **136** is collinear with the mechanical axis of the lower extremity **110**. From a three-dimensional perspective, the lower extremity of the body

ideally functions within a single plane known as the median anterior-posterior plane (MAP-plane) throughout the flexion-extension arc. In order to accomplish this, the femoral head **130**, the mechanical axis of the femur, the patellar groove, the intercondylar notch, the patellar articular crest, the tibia and the ankle remain within the MAP-plane during the flexion-extension movement. During movement, the tibia rotates as the knee flexes and extends in the epicondylar axis which is perpendicular to the MAP-plane.

A variety of image slices can be taken at each individual joint, e.g., the knee joint **150-150_n**, and the hip joint **152-150_n**. These image slices can be used as described above in Section I along with an image of the full leg to ascertain the axis.

With disease and malfunction of the knee, alignment of the anatomic axis is altered. Performing a total knee arthroplasty is one solution for correcting a diseased knee. Implanting a total knee joint, such as the PFC Sigma RP Knee System by Johnson & Johnson, requires that a series of resections be made to the surfaces forming the knee joint in order to facilitate installation of the artificial knee. The resections should be made to enable the installed artificial knee to achieve flexion-extension movement within the MAP-plane and to optimize the patient's anatomical and mechanical axis of the lower extremity.

First, the tibia **130** is resected to create a flat surface to accept the tibial component of the implant. In most cases, the tibial surface is resected perpendicular to the long axis of the tibia in the coronal plane, but is typically sloped 4-7° posteriorly in the sagittal plane to match the normal slope of the tibia. As will be appreciated by those of skill in the art, the sagittal slope can be 0° where the device to be implanted does not require a sloped tibial cut. The resection line **158** is perpendicular to the mechanical axis **110**, but the angle between the resection line and the surface plane of the plateau **160** varies depending on the amount of damage to the knee.

FIGS. 1B-D illustrate an anterior view of a resection of an anatomically normal tibial component, a tibial component in a varus knee, and a tibial component in a valgus knee, respectively. In each figure, the mechanical axis **110** extends vertically through the bone and the resection line **158** is perpendicular to the mechanical axis **110** in the coronal plane, varying from the surface line formed by the joint depending on the amount of damage to the joint. FIG. 1B illustrates a normal knee wherein the line corresponding to the surface of the joint **160** is parallel to the resection line **158**. FIG. 1C illustrates a varus knee wherein the line corresponding to the surface of the joint **160** is not parallel to the

resection line **158**. FIG. 1D illustrates a valgus knee wherein the line corresponding to the surface of the joint **160** is not parallel to the resection line **158**.

Once the tibial surface has been prepared, the surgeon turns to preparing the femoral condyle.

The plateau of the femur **170** is resected to provide flat surfaces that communicate with the interior of the femoral prosthesis. The cuts made to the femur are based on the overall height of the gap to be created between the tibia and the femur. Typically, a 20 mm gap is desirable to provide the implanted prosthesis adequate room to achieve full range of motion. The bone is resected at a 5-7° angle valgus to the mechanical axis of the femur. Resected surface **172** forms a flat plane with an angular relationship to adjoining surfaces **174**, **176**. The angle θ' , θ'' between the surfaces **172-174**, and **172-176** varies according to the design of the implant.

As illustrated in FIG. 1F, the external geometry of the proximal femur includes the head **180**, the neck **182**, the lesser trochanter **184**, the greater trochanter **186** and the proximal femoral diaphysis. The relative positions of the trochanters **184**, **186**, the femoral head center **102** and the femoral shaft **188** are correlated with the inclination of the neck-shaft angle. The mechanical axis **110** and anatomic axis **120** are also shown. Assessment of these relationships can change the reaming direction to achieve neutral alignment of the prosthesis with the femoral canal.

Using anteroposterior and lateral radiographs, measurements are made of the proximal and distal geometry to determine the size and optimal design of the implant.

Typically, after obtaining surgical access to the hip joint, the femoral neck **182** is resected, e.g. along the line **190**. Once the neck is resected, the medullary canal is reamed. Reaming can be accomplished, for example, with a conical or straight reamer, or a flexible reamer. The depth of reaming is dictated by the specific design of the implant. Once the canal has been reamed, the proximal reamer is prepared by serial rasping, with the rasp directed down into the canal.

Further, surgical assistance can be provided by using a device applied to the outer surface of the articular cartilage or the bone, including the subchondral bone, in order to match the alignment of the articular repair system and the recipient site or the joint. The device can be round, circular, oval, ellipsoid, curved or irregular in shape. The shape can be selected or adjusted to match or enclose an area of diseased cartilage or an area slightly larger than the area of diseased cartilage or substantially larger than the diseased cartilage. The area can encompass the entire articular surface or the weight bearing

surface. Such devices are typically preferred when replacement of a majority or an entire articular surface is contemplated.

Mechanical devices can be used for surgical assistance (e. g., surgical tools), for example using gels, molds, plastics or metal. One or more electronic images or intraoperative measurements can be obtained providing object coordinates that define the articular and/or bone surface and shape. These objects' coordinates can be utilized to either shape the device, e.g. using a CAD/CAM technique, to be adapted to a patient's articular anatomy or, alternatively, to select a typically pre-made device that has a good fit with a patient's articular anatomy. The device can have a surface and shape that will match all or portions of the articular or bone surface and shape, e.g. similar to a "mirror image." The device can include apertures, slots and/or holes to accommodate surgical instruments such as drills, reamers, curettes, k-wires, screws and saws.

Typically, a position will be chosen that will result in an anatomically desirable cut plane, drill hole, or general instrument orientation for subsequent placement of an articular repair system or for facilitating placement of the articular repair system. Moreover, the device can be designed so that the depth of the drill, reamer or other surgical instrument can be controlled, e.g., the drill cannot go any deeper into the tissue than defined by the device, and the size of the hole in the block can be designed to essentially match the size of the implant. Information about other joints or axis and alignment information of a joint or extremity can be included when selecting the position of these slots or holes. Alternatively, the openings in the device can be made larger than needed to accommodate these instruments. The device can also be configured to conform to the articular shape. The apertures, or openings, provided can be wide enough to allow for varying the position or angle of the surgical instrument, e.g., reamers, saws, drills, curettes and other surgical instruments. An instrument guide, typically comprised of a relatively hard material, can then be applied to the device. The device helps orient the instrument guide relative to the three-dimensional anatomy of the joint.

The surgeon can, optionally, make fine adjustments between the alignment device and the instrument guide. In this manner, an optimal compromise can be found, for example, between biomechanical alignment and joint laxity or biomechanical alignment and joint function, e.g. in a knee joint flexion gap and extension gap. By oversizing the openings in the alignment guide, the surgeon can utilize the instruments and insert them in the instrument guide without damaging the alignment guide. Thus, in particular if the alignment guide is made of plastic, debris will not be introduced into the joint. The

position and orientation between the alignment guide and the instrument guide can be also be optimized with the use of, for example, interposed spacers, wedges, screws and other mechanical or electrical methods known in the art.

A surgeon may desire to influence joint laxity as well as joint alignment. This can be optimized for different flexion and extension, abduction, or adduction, internal and external rotation angles. For this purpose, for example, spacers can be introduced that are attached or that are in contact with one or more molds. The surgeon can intraoperatively evaluate the laxity or tightness of a joint using spacers with different thickness or one or more spacers with the same thickness. For example, spacers can be applied in a knee joint in the presence of one or more molds and the flexion gap can be evaluated with the knee joint in flexion. The knee joint can then be extended and the extension gap can be evaluated. Ultimately, the surgeon will select an optimal combination of spacers for a given joint and mold. A surgical cut guide can be applied to the mold with the spacers optionally interposed between the mold and the cut guide. In this manner, the exact position of the surgical cuts can be influenced and can be adjusted to achieve an optimal result. Someone skilled in the art will recognize other means for optimizing the position of the surgical cuts. For example, expandable or ratchet-like devices can be utilized that can be inserted into the joint or that can be attached or that can touch the mold. Hinge-like mechanisms are applicable. Similarly, jack-like mechanisms are useful. In principal, any mechanical or electrical device useful for fine-tuning the position of the cut guide relative to the molds can be used.

A surgeon may desire to influence joint laxity as well as joint alignment. This can be optimized for different flexion and extension, abduction, or adduction, internal and external rotation angles. For this purpose, for example, spacers can be introduced that are attached or that are in contact with one or more molds. The surgeon can intraoperatively evaluate the laxity or tightness of a joint using spacers with different thickness or one or more spacers with the same thickness. For example, spacers can be applied in a knee joint in the presence of one or more molds and the flexion gap can be evaluated with the knee joint in flexion. The knee joint can then be extended and the extension gap can be evaluated. Ultimately, the surgeon will select an optimal combination of spacers for a given joint and mold. A surgical cut guide can be applied to the mold with the spacers optionally interposed between the mold and the cut guide. In this manner, the exact position of the surgical cuts can be influenced and can be adjusted to achieve an optimal result. Someone skilled in the art will recognize other means for optimizing the position

of the surgical cuts. For example, expandable or ratchet-like devices can be utilized that can be inserted into the joint or that can be attached or that can touch the mold. Hinge-like mechanisms are applicable. Similarly, jack-like mechanisms are useful. In principal, any mechanical or electrical device useful for fine-tuning the position of the cut guide relative to the molds can be used.

The molds and any related instrumentation such as spacers or ratchets can be combined with a tensiometer to provide a better intraoperative assessment of the joint. The tensiometer can be utilized to further optimize the anatomic alignment and tightness of the joint and to improve post-operative function and outcomes. Optionally local contact pressures may be evaluated intraoperatively, for example using a sensor like the ones manufactured by Tekscan, South Boston, Mass.

The mold or alignment guide can be made of a plastic or polymer. In other embodiments, the mold or portions of the mold can be made of metal. Metal inserts may be applied to plastic components. For example, a plastic mold may have an opening to accept a reaming device or a saw. A metal insert may be used to provide a hard wall to accept the reamer or saw. Using this or similar designs can be useful to avoid the accumulation of plastic or other debris in the joint when the saw or other surgical instruments may get in contact with the mold.

The molds may not only be used for assisting the surgical technique and guiding the placement and direction of surgical instruments. In addition, the molds can be utilized for guiding the placement of the implant or implant components. For example, in the hip joint, tilting of the acetabular component is a frequent problem with total hip arthroplasty. A mold can be applied to the acetabular wall with an opening in the center large enough to accommodate the acetabular component that the surgeon intends to place. The mold can have receptacles or notches that match the shape of small extensions that can be part of the implant or that can be applied to the implant. For example, the implant can have small members or extensions applied to the twelve o'clock and six o'clock positions. See, for example, FIG. 9A-D, discussed below. By aligning these members with notches or receptacles in the mold, the surgeon can ensure that the implant is inserted without tilting or rotation. These notches or receptacles can also be helpful to hold the implant in place while bone cement is hardening in cemented designs.

One or more molds can be used during the surgery. For example, in the hip, a mold can be initially applied to the proximal femur that closely approximates the 3D anatomy prior to the resection of the femoral head. The mold can include an opening to

accommodate a saw (see FIGS. 8-9). The opening is positioned to achieve an optimally placed surgical cut for subsequent reaming and placement of the prosthesis. A second mold can then be applied to the proximal femur after the surgical cut has been made. The second mold can be useful for guiding the direction of a reamer prior to placement of the prosthesis. As can be seen in this, as well as in other examples, molds can be made for joints prior to any surgical intervention. However, it is also possible to make molds that are designed to fit to a bone or portions of a joint after the surgeon has already performed selected surgical procedures, such as cutting, reaming, drilling, etc. The mold can account for the shape of the bone or the joint resulting from these procedures.

In certain embodiments, the surgical assistance device comprises an array of adjustable, closely spaced pins (e.g., plurality of individually moveable mechanical elements). One or more electronic images or intraoperative measurements can be obtained providing object coordinates that define the articular and/or bone surface and shape. These objects' coordinates can be entered or transferred into the device, for example manually or electronically, and the information can be used to create a surface and shape that will match all or portions of the articular and/or bone surface and shape by moving one or more of the elements, e.g. similar to an "image." The device can include slots and holes to accommodate surgical instruments such as drills, curettes, k-wires, screws and saws. The position of these slots and holes can be adjusted by moving one or more of the mechanical elements. Typically, a position will be chosen that will result in an anatomically desirable cut plane, reaming direction, or drill hole or instrument orientation for subsequent placement of an articular repair system or for facilitating the placement of an articular repair system. Information about other joints or axis and alignment information of a joint or extremity can be included when selecting the position of these slots or holes.

FIG. 2 shows an example of a surgical tool **200** having one surface **210** matching the geometry of an articular surface of the joint. Also shown is an aperture **215** in the tool **200** capable of controlling drill depth and width of the hole and allowing implantation or insertion of implant **220** having a press-fit design.

In another embodiment, a frame can be applied to the bone or the cartilage in areas other than the diseased bone or cartilage. The frame can include holders and guides for surgical instruments. The frame can be attached to one or preferably more previously defined anatomic reference points. Alternatively, the position of the frame can be cross-registered relative to one, or more, anatomic landmarks, using an imaging test or

intraoperative measurement, for example one or more fluoroscopic images acquired intraoperatively. One or more electronic images or intraoperative measurements including using mechanical devices can be obtained providing object coordinates that define the articular and/or bone surface and shape. These objects' coordinates can be entered or transferred into the device, for example manually or electronically, and the information can be used to move one or more of the holders or guides for surgical instruments. Typically, a position will be chosen that will result in a surgically or anatomically desirable cut plane or drill hole orientation for subsequent placement of an articular repair system. Information about other joints or axis and alignment information of a joint or extremity can be included when selecting the position of these slots or holes.

Furthermore, re-useable tools (e.g., molds) can be also be created and employed. Non-limiting examples of re-useable materials include putties and other deformable materials (e.g., an array of adjustable closely spaced pins that can be configured to match the topography of a joint surface). In other embodiments, the molds may be made using balloons. The balloons can optionally be filled with a hardening material. A surface can be created or can be incorporated in the balloon that allows for placement of a surgical cut guide, reaming guide, drill guide or placement of other surgical tools. The balloon or other deformable material can be shaped intraoperatively to conform to at least one articular surface. Other surfaces can be shaped in order to be parallel or perpendicular to anatomic or biomechanical axes. The anatomic or biomechanical axes can be found using an intraoperative imaging test or surgical tools commonly used for this purpose in hip, knee or other arthroplasties.

In these embodiments, the mold can be created directly from the joint during surgery or, alternatively, created from an image of the joint, for example, using one or more computer programs to determine object coordinates defining the surface contour of the joint and transferring (e.g., dialing-in) these co-ordinates to the tool. Subsequently, the tool can be aligned accurately over the joint and, accordingly, the surgical instrument guide or the implant will be more accurately placed in or over the articular surface.

In both single-use and re-useable embodiments, the tool can be designed so that the instrument controls the depth and/or direction of the drill, i.e., the drill cannot go any deeper into the tissue than the instrument allows, and the size of the hole or aperture in the instrument can be designed to essentially match the size of the implant. The tool can be used for general prosthesis implantation, including, but not limited to, the articular

repair implants described herein and for reaming the marrow in the case of a total arthroplasty.

These surgical tools (devices) can also be used to remove an area of diseased cartilage and underlying bone or an area slightly larger than the diseased cartilage and underlying bone. In addition, the device can be used on a "donor," e.g., a cadaveric specimen, to obtain implantable repair material. The device is typically positioned in the same general anatomic area in which the tissue was removed in the recipient. The shape of the device is then used to identify a donor site providing a seamless or near seamless match between the donor tissue sample and the recipient site. This can be achieved by identifying the position of the device in which the articular surface in the donor, e.g. a cadaveric specimen, has a seamless or near seamless contact with the inner surface when applied to the cartilage.

The device can be molded, machined or formed based on the size of the area of diseased cartilage and based on the curvature of the cartilage or the underlying subchondral bone or a combination of both. The molding can take into consideration surgical removal of, for example, the meniscus, in arriving at a joint surface configuration. The device can then be applied to the donor, (e.g., a cadaveric specimen) and the donor tissue can be obtained with use of a blade or saw or other tissue removing device. The device can then be applied to the recipient in the area of the diseased cartilage and the diseased cartilage and underlying bone can be removed with use of a blade or saw or other tissue cutting device whereby the size and shape of the removed tissue containing the diseased cartilage will closely resemble the size and shape of the donor tissue. The donor tissue can then be attached to the recipient site. For example, said attachment can be achieved with use of screws or pins (e.g., metallic, non-metallic or bioresorbable) or other fixation means including but not limited to a tissue adhesive. Attachment can be through the cartilage surface or alternatively, through the marrow space.

The implant site can be prepared with use of a robotic device. The robotic device can use information from an electronic image for preparing the recipient site.

Identification and preparation of the implant site and insertion of the implant can be supported by a surgical navigation system. In such a system, the position or orientation of a surgical instrument with respect to the patient's anatomy can be tracked in real-time in one or more 2D or 3D images. These 2D or 3D images can be calculated from images that were acquired preoperatively, such as MR or CT images. Non-image based surgical

navigation systems that find axes or anatomical structures, for example with use of joint motion, can also be used. The position and orientation of the surgical instrument as well as the mold including alignment guides, surgical instrument guides, reaming guides, drill guides, saw guides, etc. can be determined from markers attached to these devices. These markers can be located by a detector using, for example, optical, acoustical or electromagnetic signals.

Identification and preparation of the implant site and insertion of the implant can also be supported with use of a C-arm system. The C-arm system can afford imaging of the joint in one or, preferably, multiple planes. The multiplanar imaging capability can aid in defining the shape of an articular surface. This information can be used to select an implant with a good fit to the articular surface. Currently available C-arm systems also afford cross-sectional imaging capability, for example for identification and preparation of the implant site and insertion of the implant. C-arm imaging can be combined with administration of radiographic contrast.

In still other embodiments, the surgical devices described herein can include one or more materials that harden to form a mold of the articular surface. A wide-variety of materials that harden in situ have been described above including polymers that can be triggered to undergo a phase change, for example polymers that are liquid or semi-liquid and harden to solids or gels upon exposure to air, application of ultraviolet light, visible light, exposure to blood, water or other ionic changes. (See, also, U.S. Pat. No. 6,443,988 to Felt et al. issued Sep. 3, 2002 and documents cited therein). Non-limiting examples of suitable curable and hardening materials include polyurethane materials (e.g., U.S. Pat. No. 6,443,988 to Felt et al., U.S. Pat. No. 5,288,797 to Khalil issued Feb. 22, 1994, U.S. Pat. No. 4,098,626 to Graham et al. issued Jul. 4, 1978 and U.S. Pat. No. 4,594,380 to Chapin et al. issued Jun. 10, 1986; and Lu et al. (2000) *BioMaterials* 21(15):1595-1605 describing porous poly(L-lactide acid foams); hydrophilic polymers as disclosed, for example, in U.S. Pat. No. 5,162,430; hydrogel materials such as those described in Wake et al. (1995) *Cell Transplantation* 4(3):275-279, Wiese et al. (2001) *J. Biomedical Materials Research* 54(2):179-188 and Marler et al. (2000) *Plastic Reconstruct. Surgery* 105(6):2049-2058; hyaluronic acid materials (e.g., Duranti et al. (1998) *Dermatologic Surgery* 24(12):1317-1325); expanding beads such as chitin beads (e.g., Yusof et al. (2001) *J. Biomedical Materials Research* 54(1):59-68); crystal free metals such as Liquidmetals®, and/or materials used in dental applications (See, e.g., Brauer and Antonucci, "Dental Applications" pp. 257-258 in "Concise Encyclopedia of Polymer

Science and Engineering” and U.S. Pat. No. 4,368,040 to Weissman issued January 11, 1983). Any biocompatible material that is sufficiently flowable to permit it to be delivered to the joint and there undergo complete cure in situ under physiologically acceptable conditions can be used. The material can also be biodegradable.

The curable materials can be used in conjunction with a surgical tool as described herein. For example, the surgical tool can include one or more apertures therein adapted to receive injections and the curable materials can be injected through the apertures. Prior to solidifying in situ the materials will conform to the articular surface facing the surgical tool and, accordingly, will form a mirror image impression of the surface upon hardening, thereby recreating a normal or near normal articular surface. In addition, curable materials or surgical tools can also be used in conjunction with any of the imaging tests and analysis described herein, for example by molding these materials or surgical tools based on an image of a joint.

FIG. 3 is a flow chart illustrating the steps involved in designing a mold for use in preparing a joint surface. Typically, the first step is to measure the size of the area of the diseased cartilage or cartilage loss **300**, Once the size of the cartilage loss has been measured, the user can measure the thickness of the adjacent cartilage **320**, prior to measuring the curvature of the articular surface and/or the subchondral bone **330**. Alternatively, the user can skip the step of measuring the thickness of the adjacent cartilage **302**. Once an understanding and determination of the nature of the cartilage defect is determined, either a mold can be selected from a library of molds **332** or a patient specific mold can be generated **334**. In either event, the implantation site is then prepared **340** and implantation is performed **342**. Any of these steps can be repeated by the optional repeat steps **301, 321, 331, 333, 335, 341**.

A variety of techniques can be used to derive the shape of the mold. For example, a few selected CT slices through the hip joint, along with a full spiral CT through the knee joint and a few selected slices through the ankle joint can be used to help define the axes if surgery is contemplated of the knee joint. Once the axes are defined, the shape of the subchondral bone can be derived, followed by applying standardized cartilage loss. Other more sophisticated scanning procedures can be used to derive this information without departing from the scope of the invention.

Turning now to tools for specific joint applications which are intended to teach the concept of the design as it would then apply to other joints in the body:

When a total knee arthroplasty is contemplated, the patient can undergo an imaging test, as discussed in more detail above, that will demonstrate the articular anatomy of a knee joint, e.g. width of the femoral condyles, the tibial plateau etc. Additionally, other joints can be included in the imaging test thereby yielding information on femoral and tibial axes, deformities such as varus and valgus and other articular alignment. The imaging test can be an x-ray image, preferably in standing, load-bearing position, a CT scan or an MRI scan or combinations thereof. The articular surface and shape as well as alignment information generated with the imaging test can be used to shape the surgical assistance device, to select the surgical assistance device from a library of different devices with pre-made shapes and sizes, or can be entered into the surgical assistance device and can be used to define the preferred location and orientation of saw guides or drill holes or guides for reaming devices or other surgical instruments. Intraoperatively, the surgical assistance device is applied to the tibial plateau and subsequently the femoral condyle(s) by matching its surface with the articular surface or by attaching it to anatomic reference points on the bone or cartilage. The surgeon can then introduce a reamer or saw through the guides and prepare the joint for the implantation. By cutting the cartilage and bone along anatomically defined planes, a more reproducible placement of the implant can be achieved. This can ultimately result in improved postoperative results by optimizing biomechanical stresses applied to the implant and surrounding bone for the patient's anatomy and by minimizing axis malalignment of the implant. In addition, the surgical assistance device can greatly reduce the number of surgical instruments needed for total or unicompartmental knee arthroplasty. Thus, the use of one or more surgical assistance devices can help make joint arthroplasty more accurate, improve postoperative results, improve long-term implant survival, reduce cost by reducing the number of surgical instruments used. Moreover, the use of one or more surgical assistance device can help lower the technical difficulty of the procedure and can help decrease operating room ("OR") times.

Thus, surgical tools described herein can also be designed and used to control drill alignment, depth and width, for example when preparing a site to receive an implant. For example, the tools described herein, which typically conform to the joint surface, can provide for improved drill alignment and more accurate placement of any implant. An anatomically correct tool can be constructed by a number of methods and can be made of any material, preferably a translucent material such as plastic, Lucite, silastic, SLA or the like, and typically is a block-like shape prior to molding.

FIG. 4A depicts, in cross-section, an example of a mold **400** for use on the tibial surface having an upper surface **420**. The mold **400** contains an aperture **425** through which a surgical drill or saw can fit. The aperture guides the drill or saw to make the proper hole or cut in the underlying bone **410** as illustrated in FIGS. 1B-D. Dotted lines **432** illustrate where the cut corresponding to the aperture will be made in bone.

FIG. 4B depicts, a mold **408** suitable for use on the femur. As can be appreciated from this perspective, additional apertures are provided to enable additional cuts to the bone surface. The apertures **405** enable cuts **406** to the surface of the femur. The resulting shape of the femur corresponds to the shape of the interior surface of the femoral implant, typically as shown in FIG. 1E. Additional shapes can be achieved, if desired, by changing the size, orientation and placement of the apertures. Such changes would be desired where, for example, the interior shape of the femoral component of the implant requires a different shape of the prepared femur surface.

Turning now to FIG. 5, a variety of illustrations are provided showing a tibial cutting block and mold system. FIG. 5A illustrates the tibial cutting block **500** in conjunction with a tibia **502** that has not been resected. In this depiction, the cutting block **500** consists of at least two pieces. The first piece is a patient specific interior piece **510** or mold that is designed on its inferior surface **512** to mate, or substantially mate, with the existing geography of the patient's tibia **502**. The superior surface **514** and side surfaces **516** of the first piece **510** are configured to mate within the interior of an exterior piece **520**. The reusable exterior piece **520** fits over the interior piece **510**. The system can be configured to hold the mold onto the bone.

The reusable exterior piece has a superior surface **522** and an inferior surface **524** that mates with the first piece **510**. The reusable exterior piece **520** includes cutting guides **528**, to assist the surgeon in performing the tibial surface cut described above. As shown herein a plurality of cutting guides can be provided to provide the surgeon a variety of locations to choose from in making the tibial cut. If necessary, additional spacers can be provided that fit between the first patient configured, or molded, piece **510** and the second reusable exterior piece, or cutting block, **520**.

The variable nature of the interior piece facilitates obtaining the most accurate cut despite the level of disease of the joint because it positions the exterior piece **520** such that it can achieve a cut that is perpendicular to the mechanical axis. Either the interior piece **510** or the exterior piece **520** can be formed out of any of the materials discussed above in Section II, or any other suitable material. Additionally, a person of skill in the

art will appreciate that the invention is not limited to the two piece configuration described herein. The reusable exterior piece **520** and the patient specific interior piece **510** can be a single piece that is either patient specific (where manufacturing costs of materials support such a product) or is reusable based on a library of substantially defect conforming shapes developed in response to known or common tibial surface sizes and defects.

The interior piece **510** is typically molded to the tibia including the subchondral bone and/or the cartilage. The surgeon will typically remove any residual meniscal tissue prior to applying the mold. Optionally, the interior surface **512** of the mold can include shape information of portions or all of the menisci.

Turning now to FIG. 5B-D, a variety of views of the removable exterior piece **520**. The top surface **522** of the exterior piece can be relatively flat. The lower surface **524** which abuts the interior piece conforms to the shape of the upper surface of the interior piece. In this illustration the upper surface of the interior piece is flat, therefore the lower surface **524** of the reusable exterior surface is also flat to provide an optimal mating surface.

A guide plate **526** is provided that extends along the side of at least a portion of the exterior piece **520**. The guide plate **526** provides one or more slots or guides **528** through which a saw blade can be inserted to achieve the cut desired of the tibial surface. Additionally, the slot, or guide, can be configured so that the saw blade cuts at a line perpendicular to the mechanical axis, or so that it cuts at a line that is perpendicular to the mechanical axis, but has a 4-7° slope in the sagittal plane to match the normal slope of the tibia.

Optionally, a central bore **530** can be provided that, for example, enables a drill to ream a hole into the bone for the stem of the tibial component of the knee implant.

FIGS. 5E-H illustrate the interior, patient specific, piece **510** from a variety of perspectives. FIG. 5E shows a side view of the piece showing the uniform superior surface **514** and the uniform side surfaces **516** along with the irregular inferior surface **516**. The inferior surface mates with the irregular surface of the tibia **502**. FIG. 5F illustrates a superior view of the interior, patient, specific piece of the mold **510**. Optionally having an aperture **530**. FIG. 5G illustrates an inferior view of the interior patient specific mold piece **510** further illustrating the irregular surface which includes convex and concave portions to the surface, as necessary to achieve optimal mating with the surface of the tibia. FIG. 5H illustrates cross-sectional views of the interior patient

specific mold piece **510**. As can be seen in the cross-sections, the surface of the interior surface changes along its length.

As is evident from the views shown in FIGS. 5B and D, the length of the guide plate **526** can be such that it extends along all or part of the tibial plateau, e.g. where the guide plate **526** is asymmetrically positioned as shown in FIG. 5B or symmetrical as in FIG. 3D. If total knee arthroplasty is contemplated, the length of the guide plate **526** typically extends along all of the tibial plateau. If unicompartamental arthroplasty is contemplated, the length of the guide plate typically extends along the length of the compartment that the surgeon will operate on. Similarly, if total knee arthroplasty is contemplated, the length of the molded, interior piece **510** typically extends along all of the tibial plateau; it can include one or both tibial spines. If unicompartamental arthroplasty is contemplated, the length of the molded interior piece typically extends along the length of the compartment that the surgeon will operate on; it can optionally include a tibial spine.

Turning now to FIG. 5I, an alternative embodiment is depicted of the aperture **530**. In this embodiment, the aperture features lateral protrusions to accommodate using a reamer or punch to create an opening in the bone that accepts a stem having flanges.

FIGS. 5J and M depict alternative embodiments of the invention designed to control the movement and rotation of the cutting block **520** relative to the mold **510**. As shown in FIG. 5J a series of protrusions, illustrated as pegs **540**, are provided that extend from the superior surface of the mold. As will be appreciated by those of skill in the art, one or more pegs or protrusions can be used without departing from the scope of the invention. For purposes of illustration, two pegs have been shown in FIG. 5J. Depending on the control desired, the pegs **540** are configured to fit within, for example, a curved slot **542** that enables rotational adjustment as illustrated in FIG. 5K or within a recess **544** that conforms in shape to the peg **540** as shown in FIG. 5L. As will be appreciated by those of skill in the art, the recess **544** can be sized to snugly encompass the peg or can be sized larger than the peg to allow limited lateral and rotational movement.

As illustrated in FIG. 5M the surface of the mold **510** can be configured such that the upper surface forms a convex dome **550** that fits within a concave well **552** provided on the interior surface of the cutting block **520**. This configuration enables greater rotational movement about the mechanical axis while limiting lateral movement or translation.

Other embodiments and configurations could be used to achieve these results without departing from the scope of the invention.

As will be appreciated by those of skill in the art, more than two pieces can be used, where appropriate, to comprise the system. For example, the patient specific interior piece **510** can be two pieces that are configured to form a single piece when placed on the tibia. Additionally, the exterior piece **520** can be two components. The first component can have, for example, the cutting guide apertures **528**. After the resection using the cutting guide aperture **528** is made, the exterior piece **520** can be removed and a secondary exterior piece **520'** can be used which does not have the guide plate **526** with the cutting guide apertures **528**, but has the aperture **530** which facilitates boring into the tibial surface an aperture to receive a stem of the tibial component of the knee implant. Any of these designs could also feature the surface configurations shown in FIGS. **5J-M**, if desired.

FIG. **5N** illustrates an alternative design of the cutting block **520** that provides additional structures **560** to protect, for example, the cruciate ligaments, from being cut during the preparation of the tibial plateau. These additional structures can be in the form of indented guides **560**, as shown in FIG. **5N** or other suitable structures.

FIG. **5O** illustrates a cross-section of a system having anchoring pegs **562** on the surface of the interior piece **510** that anchor the interior piece **510** into the cartilage or meniscal area.

FIGS. **5P** and **Q** illustrate a device **500** configured to cover half of a tibial plateau such that it is unicompartamental.

Turning now to FIG. **6**, a femoral mold system is depicted that facilitates preparing the surface of the femur such that the finally implanted femoral implant will achieve optimal mechanical and anatomical axis alignment.

FIG. **6A** illustrates the femur **600** with a first portion **610** of the mold placed thereon. In this depiction, the top surface of the mold **612** is provided with a plurality of apertures. In this instance the apertures consist of a pair of rectangular apertures **614**, a pair of square apertures **616**, a central bore aperture **618** and a long rectangular aperture **620**. The side surface **622** of the first portion **610** also has a rectangular aperture **624**. Each of the apertures is larger than the eventual cuts to be made on the femur so that, in the event the material the first portion of the mold is manufactured from a soft material, such as plastic, it will not be inadvertently cut during the joint surface preparation process. Additionally, the shapes can be adjusted, e.g., rectangular shapes made

trapezoidal, to give a greater flexibility to the cut length along one area, without increasing flexibility in another area. As will be appreciated by those of skill in the art, other shapes for the apertures, or orifices, can be changed without departing from the scope of the invention.

FIG. 6B illustrates a side view of the first portion **610** from the perspective of the side surface **622** illustrating the aperture **624**. As illustrated, the exterior surface **611** has a uniform surface which is flat, or relatively flat configuration while the interior surface **613** has an irregular surface that conforms, or substantially conforms, with the surface of the femur.

FIG. 6C illustrates another side view of the first, patient specific molded, portion **610**, more particularly illustrating the irregular surface **613** of the interior. FIG. 6D illustrates the first portion **610** from a top view. The center bore aperture **618** is optionally provided to facilitate positioning the first piece and to prevent central rotation.

FIG. 6D illustrates a top view of the first portion **610**. The bottom of the illustration corresponds to an anterior location relative to the knee joint. From the top view, each of the apertures is illustrated as described above. As will be appreciated by those of skill in the art, the apertures can be shaped differently without departing from the scope of the invention.

Turning now to FIG. 6E, the femur **600** with a first portion **610** of the cutting block placed on the femur and a second, exterior, portion **640** placed over the first portion **610** is illustrated. The second, exterior, portion **640** features a series of rectangular grooves (**642-650**) that facilitate inserting a saw blade therethrough to make the cuts necessary to achieve the femur shape illustrated in FIG. 1E. These grooves can enable the blade to access at a 90° angle to the surface of the exterior portion, or, for example, at a 45° angle. Other angles are also possible without departing from the scope of the invention.

As shown by the dashed lines, the grooves (**642-650**) of the second portion **640**, overlay the apertures of the first layer.

FIG. 6F illustrates a side view of the second, exterior, cutting block portion **640**. From the side view a single aperture **650** is provided to access the femur cut. FIG. 6G is another side view of the second, exterior, portion **640** showing the location and relative angles of the rectangular grooves. As evidenced from this view, the orientation of the grooves **642**, **648** and **650** is perpendicular to at least one surface of the second, exterior,

portion **640**. The orientation of the grooves **644**, **646** is at an angle that is not perpendicular to at least one surface of the second, exterior portion **640**. These grooves (**644**, **646**) facilitate making the angled chamfer cuts to the femur. FIG. 6H is a top view of the second, exterior portion **640**. As will be appreciated by those of skill in the art, the location and orientation of the grooves will change depending upon the design of the femoral implant and the shape required of the femur to communicate with the implant.

FIG. 6I illustrates a spacer **601** for use between the first portion **610** and the second portion **640**. The spacer **601** raises the second portion relative to the first portion, thus raising the area at which the cut through groove **624** is made relative to the surface of the femur. As will be appreciated by those of skill in the art, more than one spacer can be employed without departing from the scope of the invention. Spacers can also be used for making the tibial cuts. Optional grooves or channels **603** can be provided to accommodate, for example, pins **660** shown in FIG. 6J.

Similar to the designs discussed above with respect to FIG. 5, alternative designs can be used to control the movement and rotation of the cutting block **640** relative to the mold **610**. As shown in FIG. 6J a series of protrusions, illustrated as pegs **660**, are provided that extend from the superior surface of the mold. These pegs or protrusions can be telescoping to facilitate the use of molds if necessary. As will be appreciated by those of skill in the art, one or more pegs or protrusions can be used without departing from the scope of the invention. For purposes of illustration, two pegs have been shown in FIG. 66J. Depending on the control desired, the pegs **660** are configured to fit within, for example, a curved slot that enables rotational adjustment similar to the slots illustrated in FIG. 5K or within a recess that conforms in shape to the peg, similar to that shown in FIG. 5L and described with respect to the tibial cutting system. As will be appreciated by those of skill in the art, the recess **662** can be sized to snugly encompass the peg or can be sized larger than the peg to allow limited lateral and rotational movement.

As illustrated in FIG. 6K the surface of the mold **610** can be configured such that the upper surface forms a convex dome **664** that fits within a concave well **666** provided on the interior surface of the cutting block **640**. This configuration enables greater rotational movement about the mechanical axis while limiting lateral movement or translation.

In installing an implant, first the tibial surface is cut using a tibial block, such as those shown in FIG. 6. The patient specific mold is placed on the femur. The knee is then placed in extension and spacers **670**, such as those shown in FIG. 6I, or shims are used, if

required, until the joint optimal function is achieved in both extension and flexion. The spacers, or shims, are typically of an incremental size, e.g., 5 mm thick to provide increasing distance as the leg is placed in extension and flexion. A tensiometer can be used to assist in this determination or can be incorporated into the mold or spacers in order to provide optimal results. The design of tensiometers are known in the art and are not included herein to avoid obscuring the invention. Suitable designs include, for example, those described in U.S. Pat. No. 5,630,820 to Todd issued May 20, 1997.

As illustrated in FIGS. 6N (sagittal view) and 6M (coronal view), the interior surface **613** of the mold **610** can include small teeth **665** or extensions that can help stabilize the mold against the cartilage **666** or subchondral bone **667**.

Turning now to FIG. 7, a variety of illustrations are provided showing a patellar cutting block and mold system. FIGS. 7 A-C illustrates the patellar cutting block **700** in conjunction with a patella **702** that has not been resected. In this depiction, the cutting block **700** can consist of only one piece or a plurality of pieces, if desired. The inner surface **703** is patient specific and designed to mate, or substantially mate, with the existing geography of the patient's patella **702**. Small openings are present **707** to accept the saw. The mold or block can have only one or multiple openings. The openings can be larger than the saw in order to allow for some rotation or other fine adjustments. FIG. 7A is a view in the sagittal plane A. The quadriceps tendon **704** and patellar tendon **705** are shown.

FIG. 7B is a view in the axial plane A. The cartilage **706** is shown. The mold can be molded to the cartilage or the subchondral bone or combinations thereof. FIG. 7C is a frontal view F of the mold demonstrating the opening for the saw **707**. The dashed line indicates the relative position of the patella **702**.

FIGS. 7D (sagittal view) and E (axial view) illustrate a patellar cutting block **708** in conjunction with a patella **702** that has not been resected. In this depiction, the cutting block **708** consists of at least two pieces. The first piece is a patient specific interior piece **710** or mold that is designed on its inferior surface **712** to mate, or substantially mate, with the existing geography of the patient's patella **702**. The posterior surface **714** and side surfaces **716** of the first piece **710** are configured to mate within the interior of an exterior piece **720**. The reusable exterior piece **720** fits over the interior piece **710** and holds it onto the patella. The reusable exterior piece has an interior surface **724** that mates with the first piece **710**. The reusable exterior piece **720** includes cutting guides **707**, to assist the surgeon in performing the patellar surface cut. A plurality of cutting guides can

be provided to provide the surgeon a variety of locations to choose from in making the patellar cut. If necessary, additional spacers can be provided that fit between the first patient configured, or molded, piece 710 and the second reusable exterior piece, or cutting block, 720.

The second reusable exterior piece, or cutting block, 720, can have grooves 722 and extensions 725 designed to mate with surgical instruments such as a patellar clamp 726. The patellar clamp 726 can have ring shaped graspers 728 and locking mechanisms, for example ratchet-like 730. The opening 732 in the grasper fits onto the extension 725 of the second reusable exterior piece 720. Portions of a first portion of the handle of the grasper can be at an oblique angle 734 relative to the second portion of the handle, or curved (not shown), in order to facilitate insertion. Typically the portion of the grasper that will be facing towards the intra-articular side will have an oblique or curved shaped thereby allowing a slightly smaller incision.

The variable nature of the interior piece facilitates obtaining the most accurate cut despite the level of disease of the joint because it positions the exterior piece 720 in the desired plane. Either the interior piece 710 or the exterior piece 720 can be formed out of any of the materials discussed above in Section II, or any other suitable material. Additionally, a person of skill in the art will appreciate that the invention is not limited to the two piece configuration described herein. The reusable exterior piece 720 and the patient specific interior piece 710 can be a single piece that is either patient specific (where manufacturing costs of materials support such a product) or is reusable based on a library of substantially defect conforming shapes developed in response to known or common tibial surface sizes and defects.

The interior piece 710 is typically molded to the patella including the subchondral bone and/or the cartilage.

From this determination, an understanding of the amount of space needed to balance the knee is determined and an appropriate number of spacers is then used in conjunction with the cutting block and mold to achieve the cutting surfaces and to prevent removal of too much bone. Where the cutting block has a thickness of, for example, 10 mm, and each spacer has a thickness of 5 mm, in preparing the knee for cuts, two of the spacers would be removed when applying the cutting block to achieve the cutting planes identified as optimal during flexion and extension. Similar results can be achieved with ratchet or jack like designs interposed between the mold and the cut guide.

Turning now to FIG. 8, a variety of views showing sample mold and cutting block systems for use in the hip joint are shown. FIG. 8A illustrates femur **810** with a mold and cutting block system **820** placed to provide a cutting plane **830** across the femoral neck **812** to facilitate removal of the head **814** of the femur and creation of a surface **816** for the hip ball prosthesis.

FIG. 8B illustrates a top view of the cutting block system **820**. The cutting block system **820** includes an interior, patient specific, molded section **824** and an exterior cutting block surface **822**. The interior, patient specific, molded section **824** can include a canal **826** to facilitate placing the interior section **824** over the neck of the femur. As will be appreciated by those of skill in the art, the width of the canal will vary depending upon the rigidity of the material used to make the interior molded section. The exterior cutting block surface **822** is configured to fit snugly around the interior section. Additional structures can be provided, similar to those described above with respect to the knee cutting block system, that control movement of the exterior cutting block **824** relative to interior mold section **822**, as will be appreciated by those of skill in the art. Where the interior section **824** encompasses all or part of the femoral neck, the cutting block system can be configured such that it aids in removal of the femoral head once the cut has been made by, for example, providing a handle **801**.

FIG. 8C illustrates a second cutting block system **850** that can be placed over the cut femur to provide a guide for reaming after the femoral head has been removed using the cutting block shown in FIG. 8A. FIG. 8D is a top view of the cutting block shown in FIG. 8C. As will be appreciated by those of skill in the art, the cutting block shown in FIG. 8C-D, can be one or more pieces. As shown in FIG. 8E, the aperture **852** can be configured such that it enables the reaming for the post of the implant to be at a 90° angle relative to the surface of femur. Alternatively, as shown in FIG. 8F, the aperture **852** can be configured to provide an angle other than 90° for reaming, if desired.

FIGS. 9A (sagittal view) and 9B (frontal view, down onto mold) illustrates a mold system **955** for the acetabulum **957**. The mold can have grooves **959** that stabilize it against the acetabular rim **960**. Surgical instruments, e.g. reamers, can be passed through an opening in the mold **956**. The side wall of the opening **962** can guide the direction of the reamer or other surgical instruments. Metal sleeves **964** can be inserted into the side wall **962** thereby protecting the side wall of the mold from damage. The metal sleeves **964** can have lips **966** or overhanging edges that secure the sleeve against the mold and help avoid movement of the sleeve against the articular surface.

FIG. 9C is a frontal view of the same mold system shown in FIGS. 9A and 9B. A groove **970** has been added at the 6 and 12 o'clock positions. The groove can be used for accurate positioning or placement of surgical instruments. Moreover, the groove can be useful for accurate placement of the acetabular component without rotational error. Someone skilled in the art will recognize that more than one groove or internal guide can be used in order to not only reduce rotational error but also error related to tilting of the implant. As seen FIG. 9D, the implant **975** can have little extensions **977** matching the grooves thereby guiding the implant placement. The extensions **977** can be a permanent part of the implant design or they can be detachable. Note metal rim **979** and inner polyethylene cup **980** of the acetabular component.

FIG. 9D illustrates a cross-section of a system where the interior surface **960** of the molded section **924** has teeth **962** or grooves to facilitate grasping the neck of the femur.

After identification of the cartilage defect and marking of the skin surface using the proprietary U-shaped cartilage defect locator device as described herein, a 3 cm incision is placed and the tissue retractors are inserted. The cartilage defect is visualized.

A first Lucite block matching the 3D surface of the femoral condyle is placed over the cartilage defect. The central portion of the Lucite block contains a drill hole with an inner diameter of, for example, 1.5 cm, corresponding to the diameter of the base plate of the implant. A standard surgical drill with a drill guide for depth control is inserted through the Lucite block, and the recipient site is prepared for the base component of the implant. The drill and the Lucite block are then removed.

A second Lucite block of identical outer dimensions is then placed over the implant recipient site. The second Lucite block has a rounded, cylindrical extension matching the size of the first drill hole (and matching the shape of the base component of the implant), with a diameter 0.1 mm smaller than the first drill hole and 0.2 mm smaller than that of the base of the implant. The cylindrical extension is placed inside the first drill hole.

The second Lucite block contains a drill hole extending from the external surface of the block to the cylindrical extension. The inner diameter of the second drill hole matches the diameter of the distal portion of the fin-shaped stabilizer strut of the implant, e.g. 3 mm. A drill, e.g. with 3 mm diameter, with a drill guide for depth control is inserted into the second hole and the recipient site is prepared for the stabilizer strut with a four fin and step design. The drill and the Lucite block are then removed.

A plastic model/trial implant matching the 3-D shape of the final implant with a diameter of the base component of 0.2 mm less than that of the final implant and a cylindrical rather than tapered strut stabilizer with a diameter of 0.1 mm less than the distal portion of the final implant is then placed inside the cartilage defect. The plastic model/trial implant is used to confirm alignment of the implant surface with the surrounding cartilage. The surgeon then performs final adjustments.

The implant is subsequently placed inside the recipient site. The anterior fin of the implant is marked with red color and labeled "A." The posterior fin is marked green with a label "P" and the medial fin is color coded yellow with a label "M." The Lucite block is then placed over the implant. A plastic hammer is utilized to advance the implant slowly into the recipient site. A press fit is achieved with help of the tapered and four fin design of the strut, as well as the slightly greater diameter (0.1 mm) of the base component relative to the drill hole. The Lucite block is removed. The tissue retractors are then removed. Standard surgical technique is used to close the 3 cm incision. The same procedure described above for the medial femoral condyle can also be applied to the lateral femoral condyle, the medial tibial plateau, the lateral tibial plateau and the patella. Immediate stabilization of the device can be achieved by combining it with bone cement if desired.

FIG. 10A illustrates a patella **1000** having a patellar ridge **1002**, patellar facets **1004**, **1004**. Also depicted are the superior **1010**, inferior **1012**, lateral **1014**, and medial **1016** surfaces.

FIG. 10B illustrates a mold drill guide **1020** from the perspective of the patella matching surface **1022**. The mold drill guide **1020** is configured so that it is substantially a round cylinder. However, other shapes can be employed without departing from the scope of the invention. Such shapes can be strictly geometrical, e.g. ovoid, or non-geometrical.

The patella matching surface **1022** has an articular surface that matches, or closely conforms to, the surface of the patella. The design is proposed such that the guide is molded to precisely fit the anatomy of the articular surface of the patella for each patient, thus providing precise location of the patella planing needed. As will be appreciated by those of skill in the art, while an exact or precise fit is desired, deviations from a precise fit can occur without departing from the scope of the invention. Thus, it is anticipated that a certain amount of error in the design can be tolerated.

FIG. 10C illustrates the guide **1020** from the opposite perspective. The planar guide surface **1024** is depicted as flat, or substantially flat. However, as will be appreciated by those of skill in the art, other surface configurations can be employed without departing from the scope of the invention. Both FIGS. 10A and B depict apertures **1030**, **1032**. A central aperture **1030** is provided that accommodates, for example, a $\frac{1}{8}$ inch drill bit. The central aperture **1030** can be located such that it is centered within the guide, off-centered, or slightly off-centered, without departing from the scope of the invention. An off-center or slightly off-center configuration could be used with the round cylindrical configuration, but could also be used with the other configurations as well. One or more additional apertures **1032** can be provided to enable peg holes to be drilled. The apertures **1032** can be configured to have a larger diameter as the first aperture **1030**, a smaller diameter, or an identical diameter.

As shown in FIG. 10D the mold drill guide is fitted onto the articular surface of the patella. Because the articular facing surface (shown in FIG. 10A) is configured to match or substantially match the articular surface of the patella, the drill guide mates with the patellar surface to enable the drill holes to line-up in the desired place for the implant. FIG. 10E illustrates the mold drill guide fitted onto the articular surface of the patella with a $\frac{1}{8}$ inch drill **1050** positioned within the central aperture **1030**.

Once a central aperture **1018** has been formed into the patella, a patella reamer **1060** is used to resurface the patella **1000**. The reamer **1060** has a guide **1062**, which fits within the aperture **1018**, and a reamer **1064** having a planing surface or blade surface **1066**.

Turning to FIG. 11A the reamer **1060** is shown. The planing surface **1066** is configured to provide dual planing surfaces in order to recess the patella and clear surrounding bone. Providing dual planing surfaces helps to insure poly-metal articulation only. FIG. 11B illustrates the reamer relative to a patella. An area is prepared **1062** for a 30 mm patella insert, and a surrounding area **1061** is reamed.

FIG. 12A illustrates a patella implant **1200**. The inferior surface of the implant **1200**, has one or more pegs **1210**. In this instance, the inferior surface **1202** is depicted with three pegs **1210**. The implant **1200** is positioned on a patella as shown in FIG. 12C such that a protuberance **1220** on the superior surface **1204** of the implant is positioned approximately at the apex of the natural patella. FIGS. 12D-F illustrate the implant superimposed within a patella, more clearly showing the protuberance corresponding to the apex of the natural patella.

Also described herein are kits comprising one or more of the methods, systems and/or compositions described herein. In particular, a kit can include one or more of the following: instructions (methods) of obtaining electronic images; systems or instructions for evaluating electronic images; one or more computer means capable of analyzing or processing the electronic images; and/or one or more surgical tools for implanting an articular repair system. The kits can include other materials, for example, instructions, reagents, containers and/or imaging aids (e.g., films, holders, digitizers, etc.).

The foregoing description of embodiments of the present invention has been provided for the purposes of illustration and description. It is not intended to be exhaustive or to limit the invention to the precise forms disclosed. Many modifications and variations will be apparent to the practitioner skilled in the art. The embodiments were chosen and described in order to best explain the principles of the invention and its practical application, thereby enabling others skilled in the art to understand the invention and the various embodiments and with various modifications that are suited to the particular use contemplated. It is intended that the scope of the invention be defined by the following claims equivalents thereof.

What is claimed is:

1. A drill-guide for engaging a surface of a patella, the drill guide comprising:
a mold having a first surface that is configured to substantially match the surface of the patella.
2. The drill-guide of claim 1, wherein the mold has an aperture.
3. The drill-guide of claim 1, wherein the aperture is substantially centered within the drill-guide.
4. The drill guide of claim 1, wherein the aperture is off-center of the drill-guide.
5. The drill-guide of claim 1 wherein the mold has a plurality of apertures.
6. The drill-guide of claim 1 wherein an entire portion of the first surface is configured to match the patella.
7. The drill-guide of claim 1, wherein the mold is selected from a library of molds.
8. The drill-guide of claim 1, wherein the mold is patient specific.
9. A method for resurfacing a surface of a patella comprising:
placing a drill-guide configured on at least a portion of a first surface to match at least a portion of a patellar surface on a patella;
drilling an aperture into the surface of the patella through an aperture located on the surface of the drill-guide;
using the aperture drilled into the surface of the patella to position a reamer relative to the patellar surface; and
resurfacing the patellar surface using the reamer.
10. The method according to claim 9, wherein the drill-guide includes a mold having the first surface.

11. The method according to claim 10, further comprising:
imaging the portion of the patellar surface; and
forming the mold based on the imaging.

12. The method according to claim 10, further comprising:
selecting the mold from a library of molds.

13. The method according to claim 9, further comprising:
imaging the portion of the patellar surface; and
machining the first surface based on the imaging.

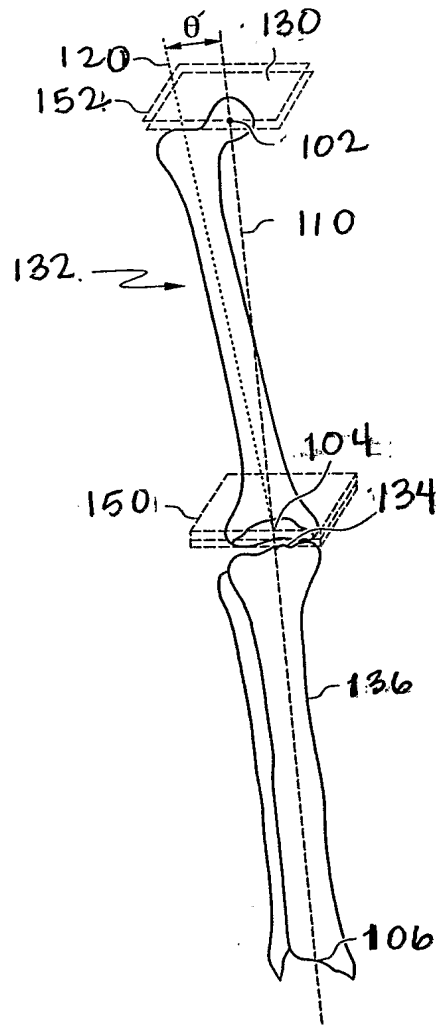


FIG. 1A

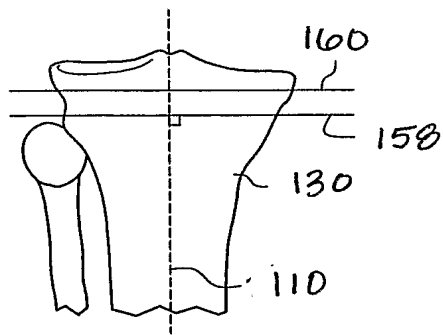


FIG. 1B

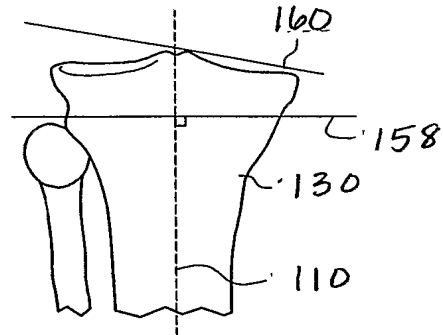


FIG. 1C

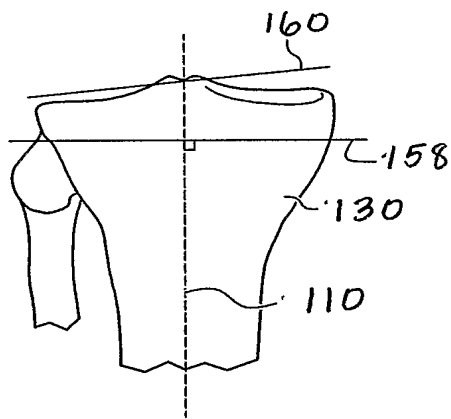


FIG. 1D

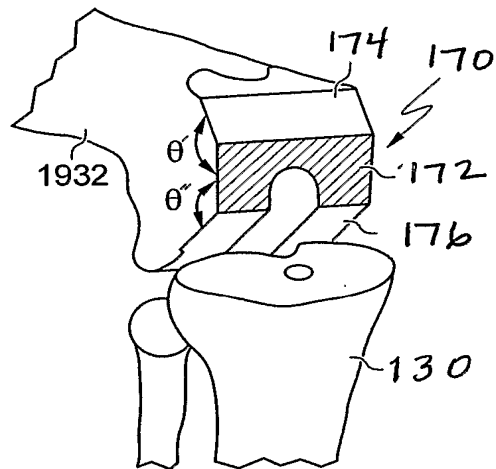


FIG. 1E

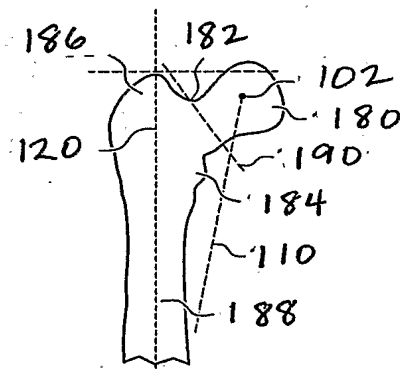
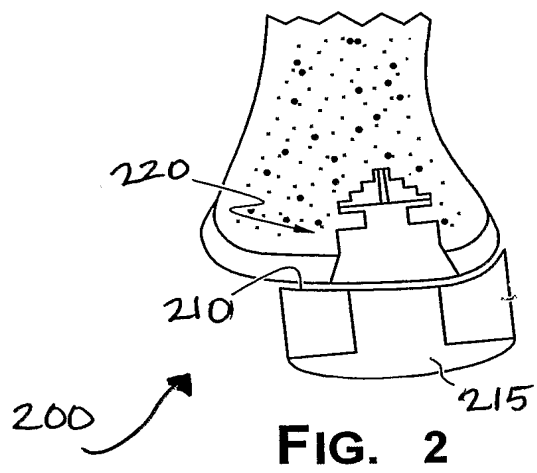


FIG. 1F



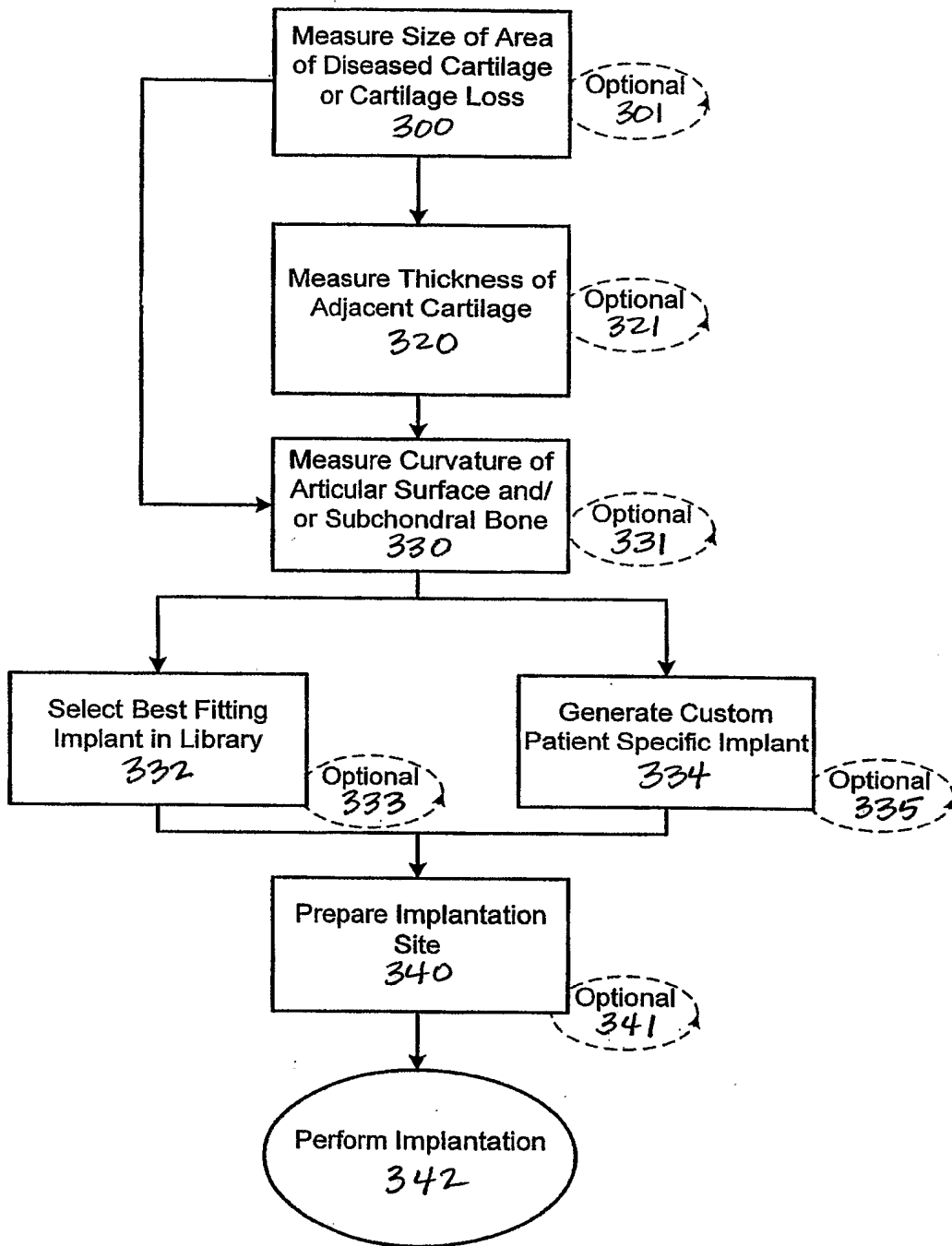


FIG. 3

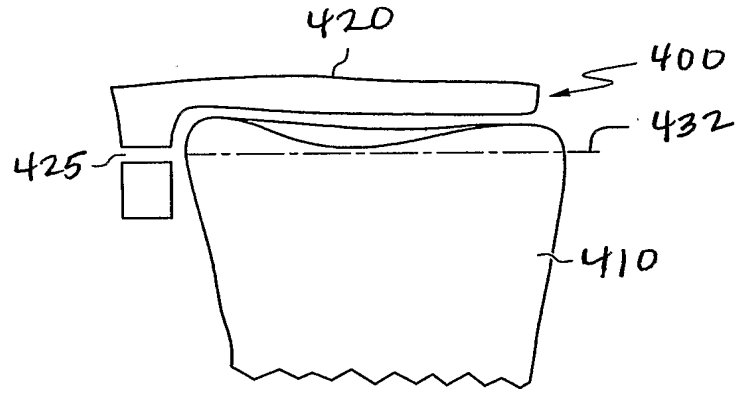


FIG. 4A

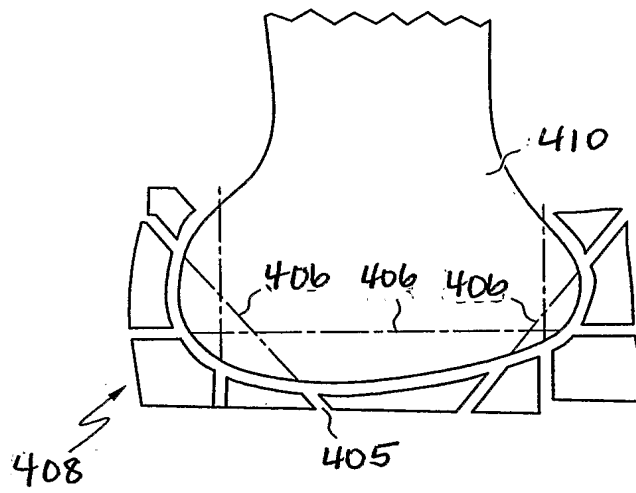


FIG. 4B

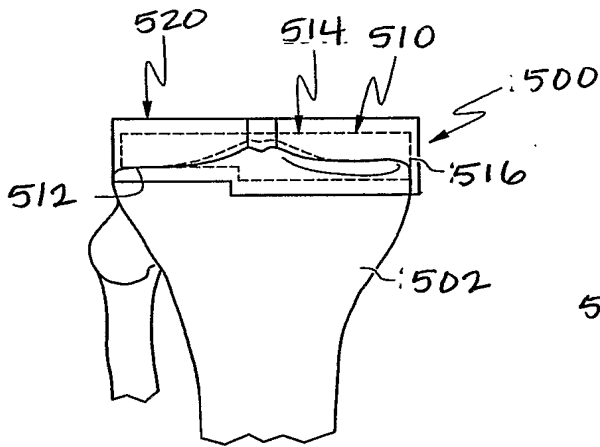


FIG. 5A

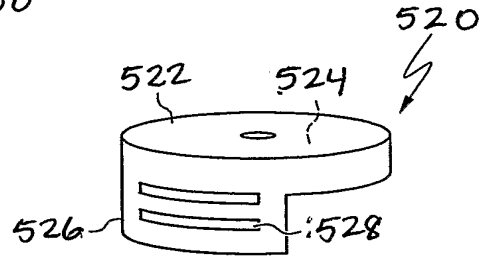


FIG. 5B

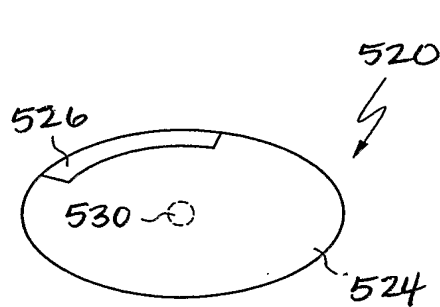


FIG. 5C

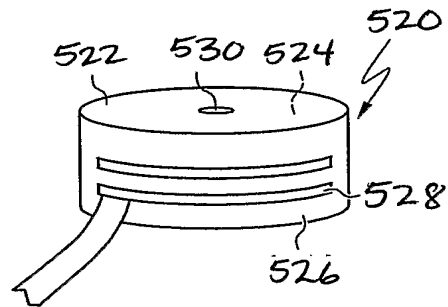


FIG. 5D

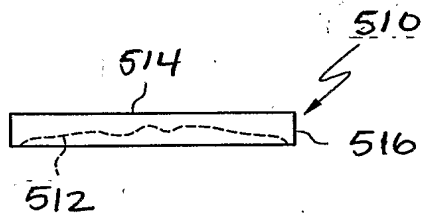


FIG. 5E

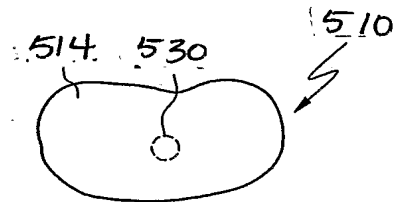


FIG. 5F

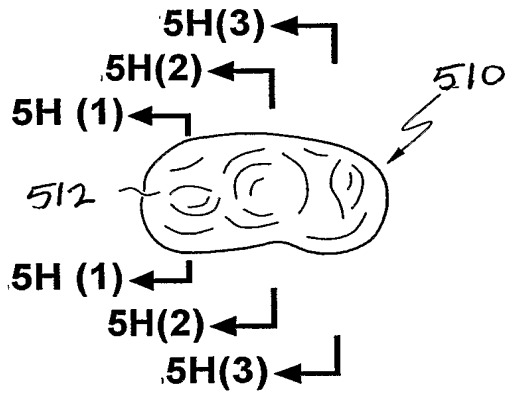


FIG. 5G

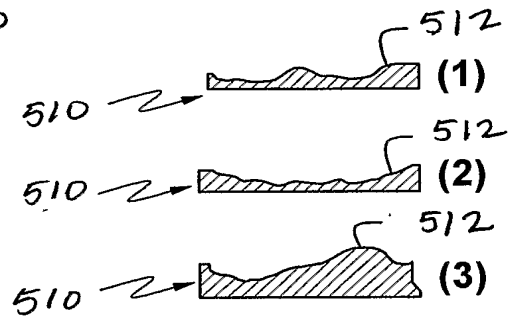


FIG. 5H

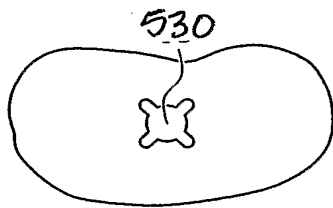


FIG. 5I

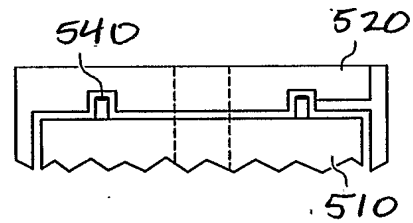


FIG. 5J

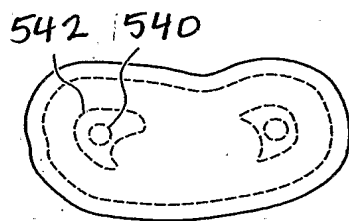


FIG. 5K

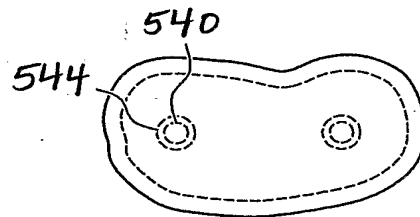


FIG. 5L

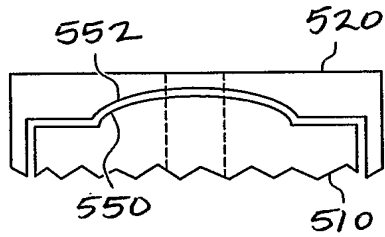


FIG. 5M

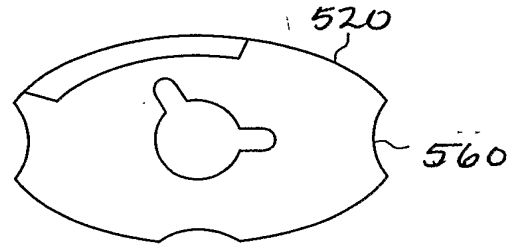


FIG. 5N

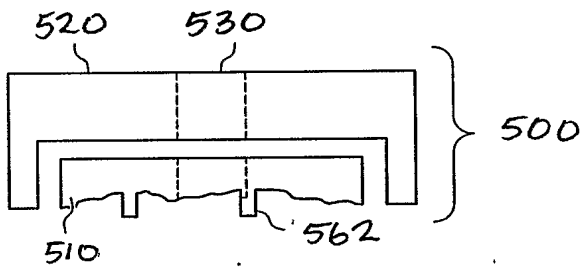


FIG. 5O

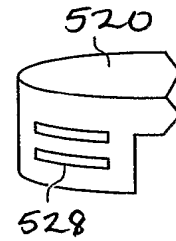


FIG. 5P

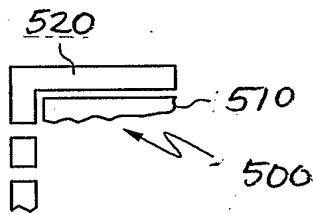


FIG. 5Q

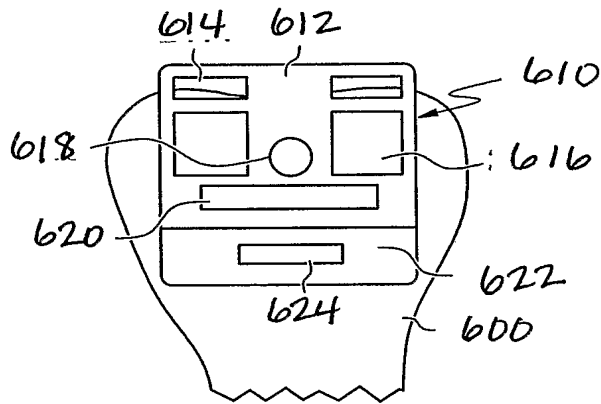


FIG. 6A

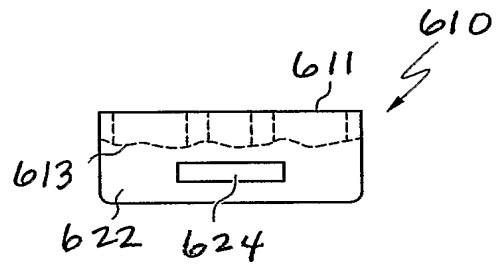


FIG. 6B

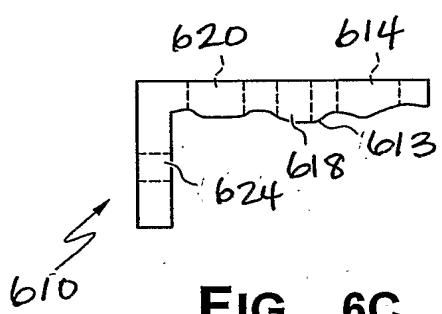


FIG. 6C

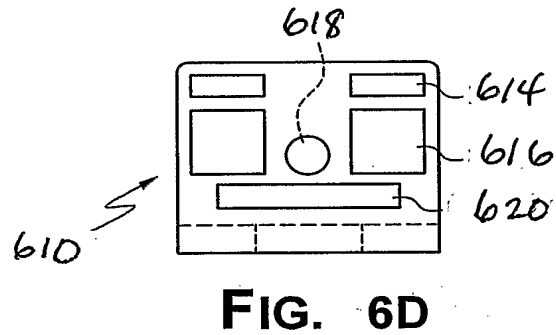


FIG. 6D

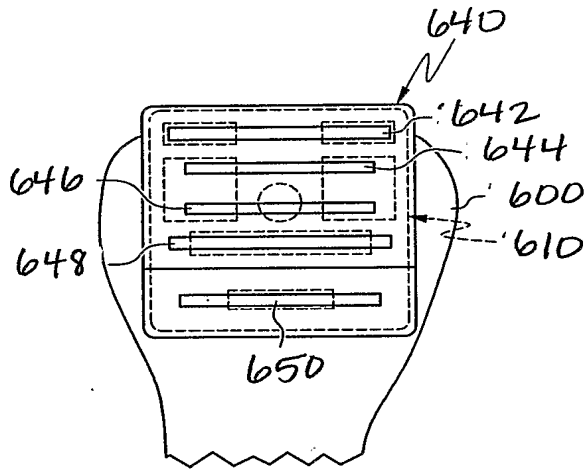


FIG. 6E

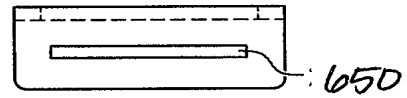


FIG. 6F

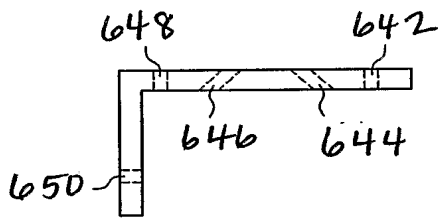


FIG. 6G

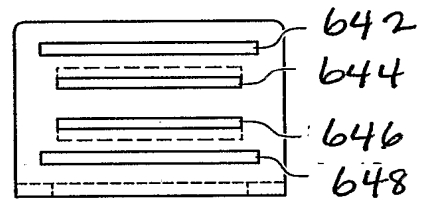


FIG. 6H

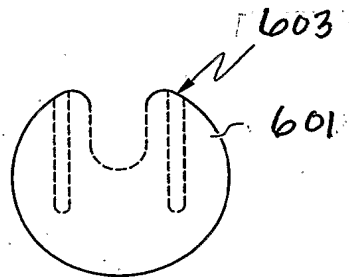


FIG. 6I

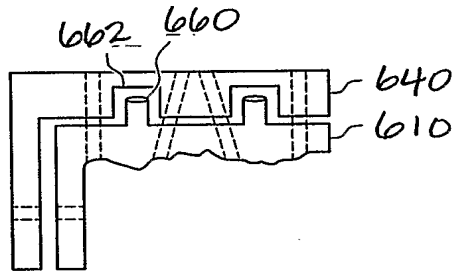


FIG. 6J

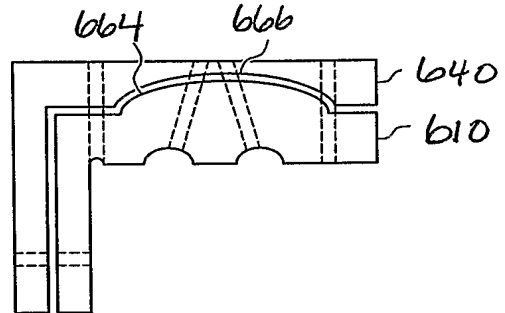


FIG. 6K

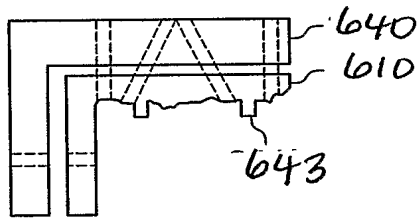


FIG. 6L

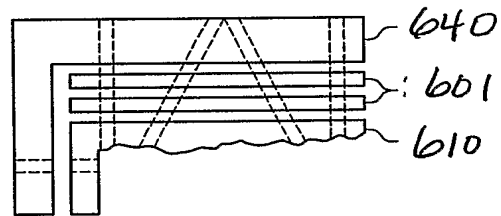


FIG. 6M

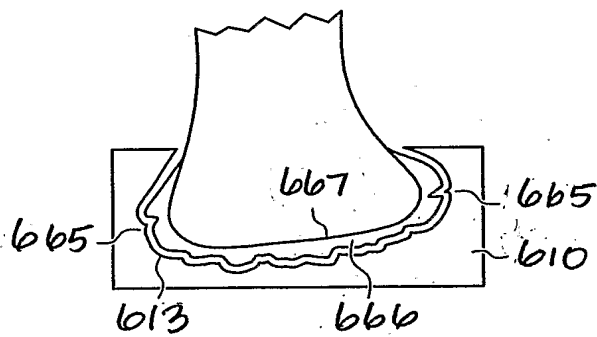


FIG. 6N

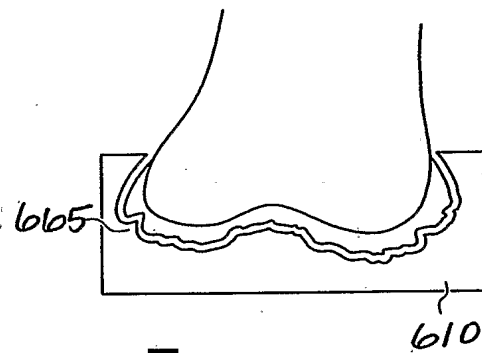


FIG. 6O

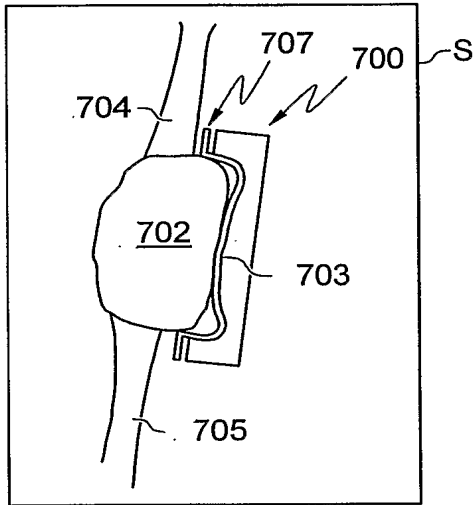


FIG. 7A

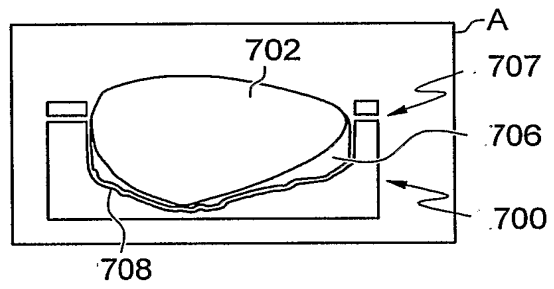


FIG. 7B

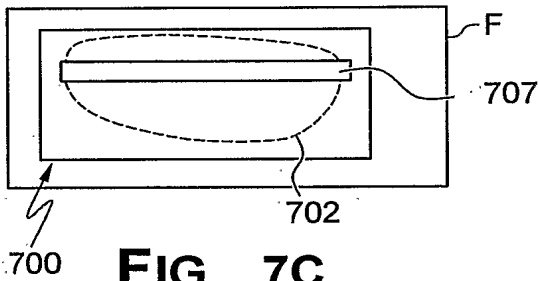


FIG. 7C

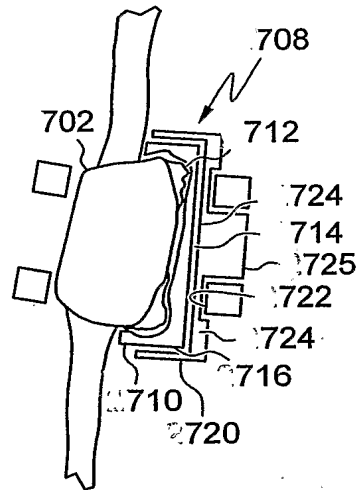


FIG. 7D

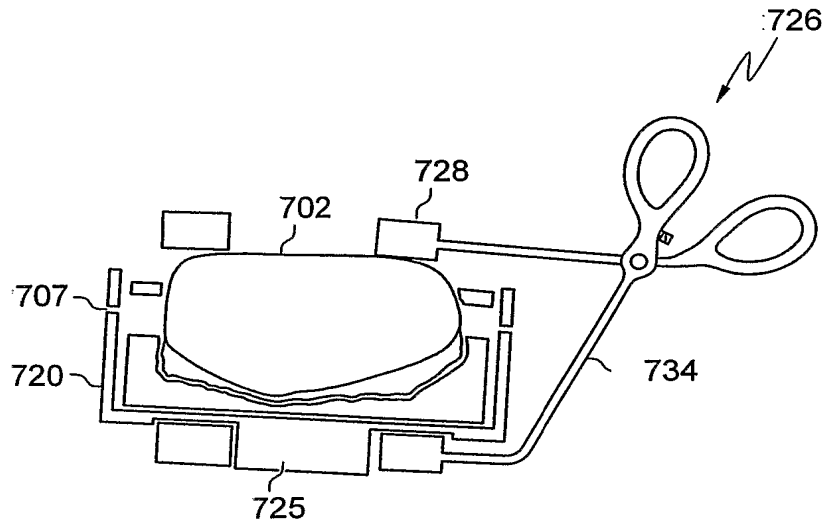


FIG. 7E

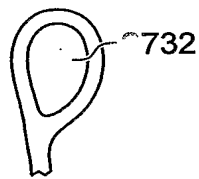


FIG. 7F

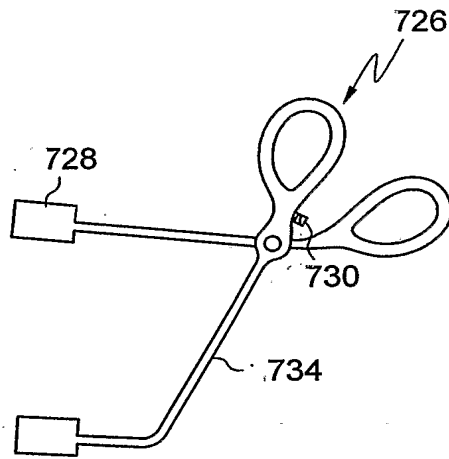


FIG. 7G

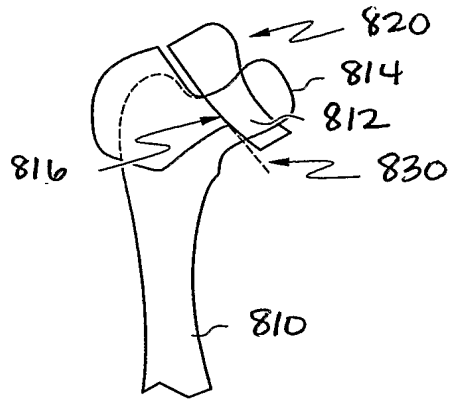


FIG. 8A

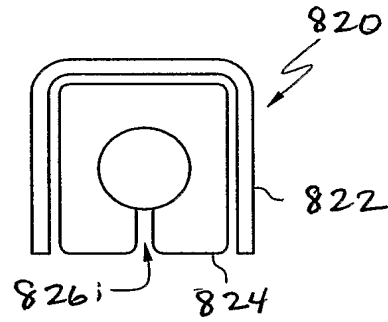


FIG. 8B

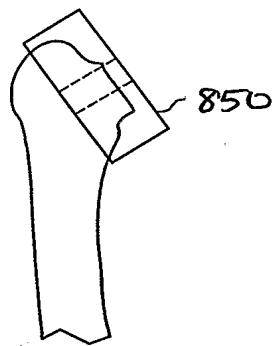


FIG. 8C

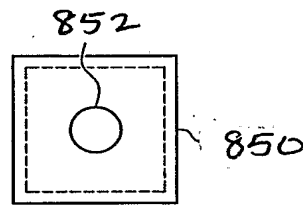


FIG. 8D

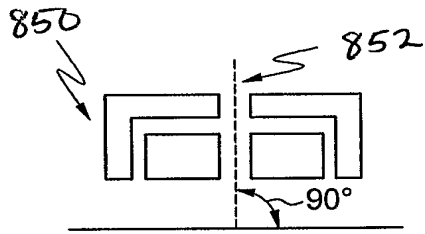


FIG. 8E

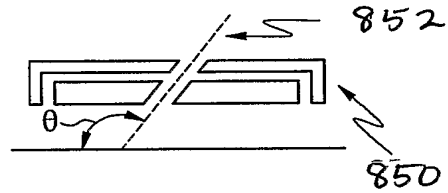


FIG. 8F

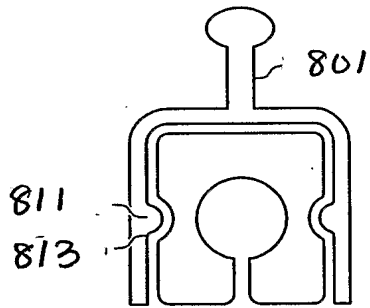


FIG. 8G

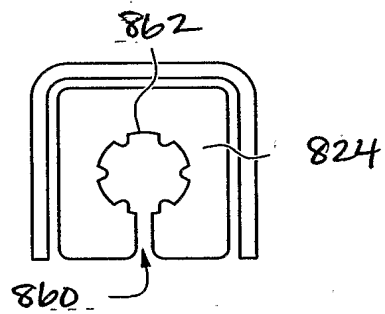


FIG. 8H

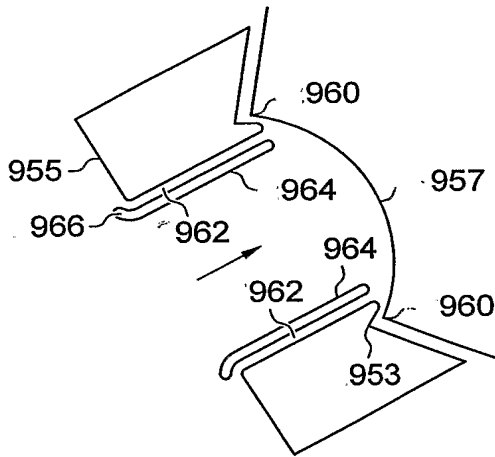


FIG. 9A

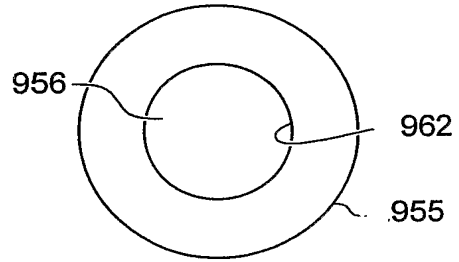


FIG. 9B

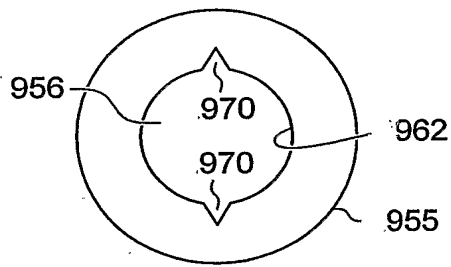


FIG. 9C

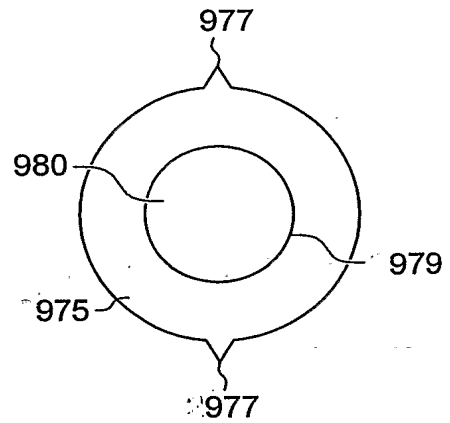


FIG. 9D

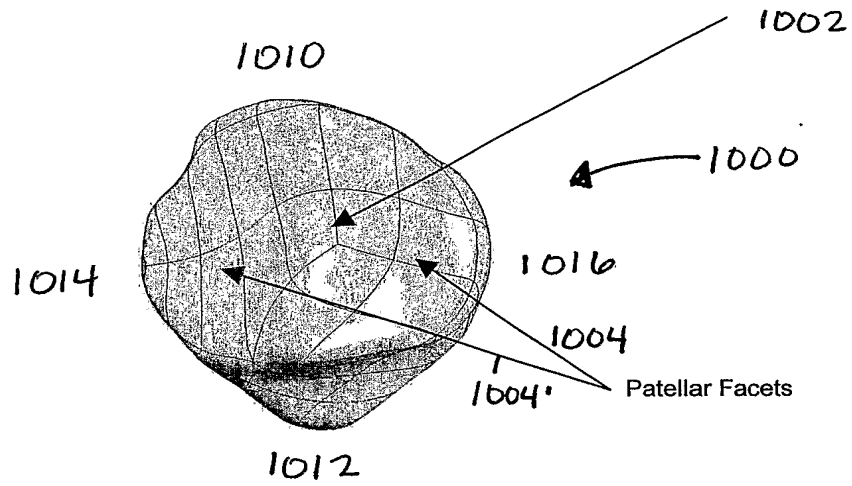


FIG. 10A

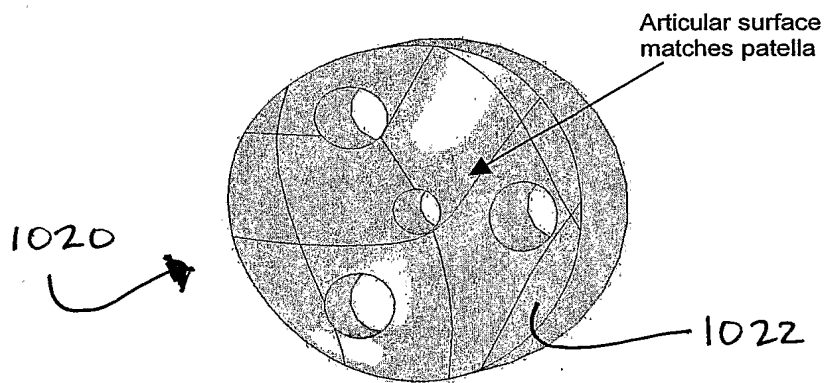


FIG. 10B

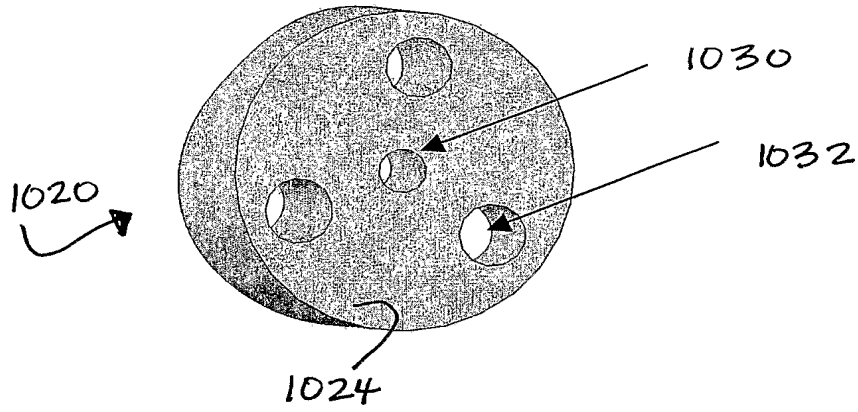


FIG. 10C

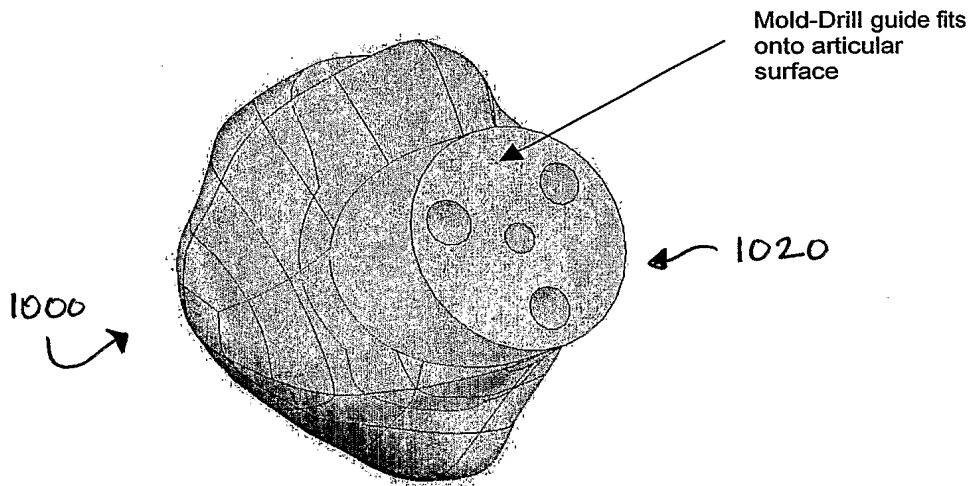


FIG. 10D

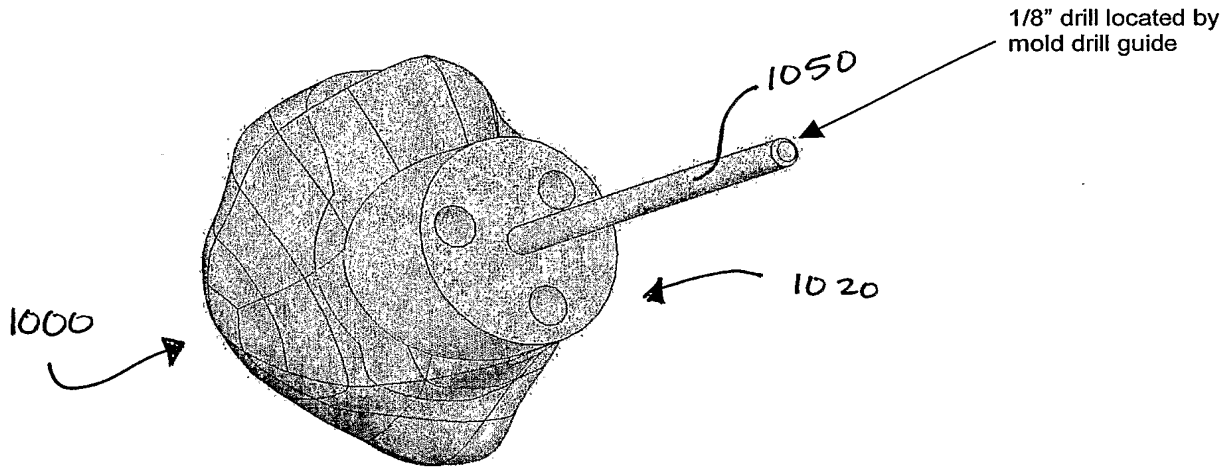


FIG. 10E

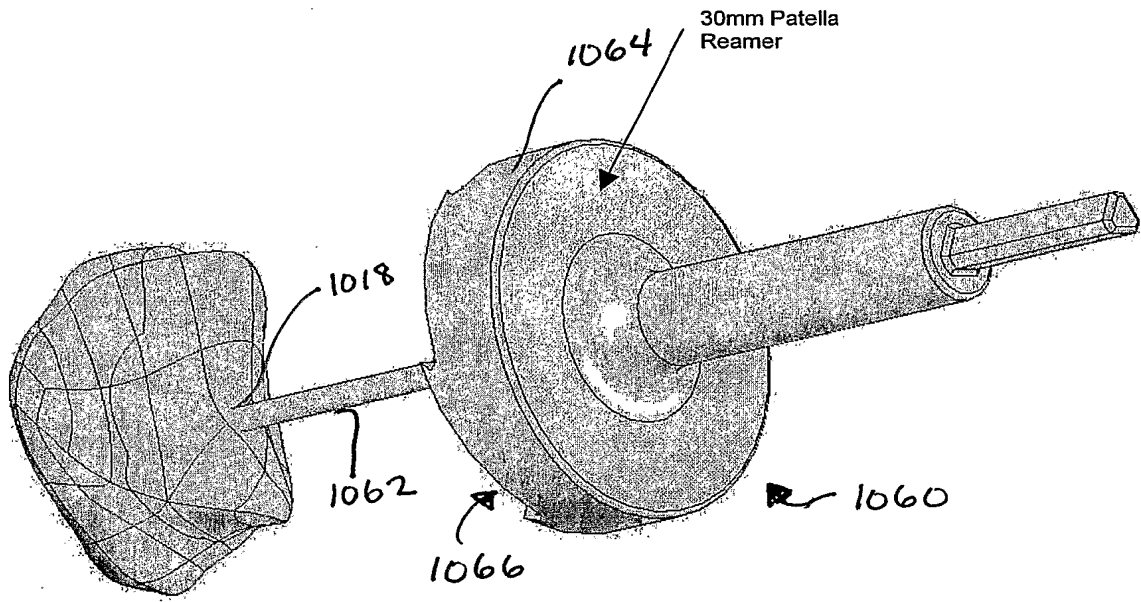


FIG. 10F

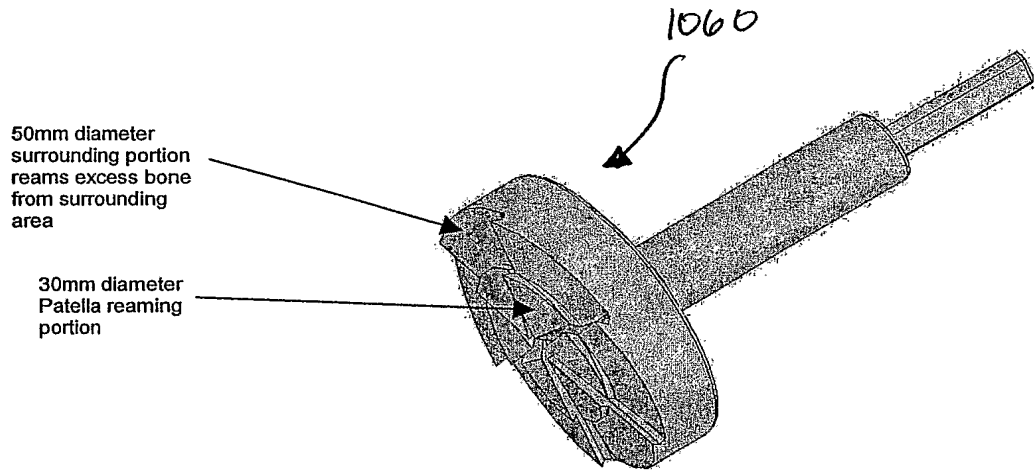


FIG. 11A

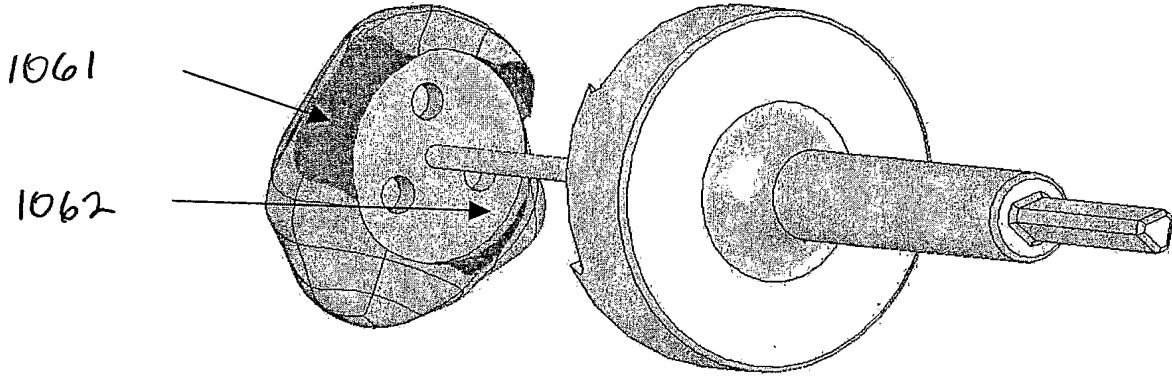


FIG. 11B

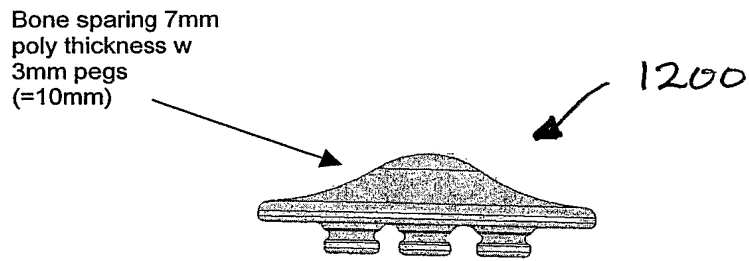


FIG. 12A

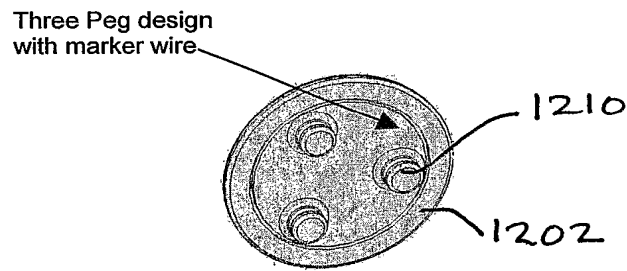


FIG. 12B

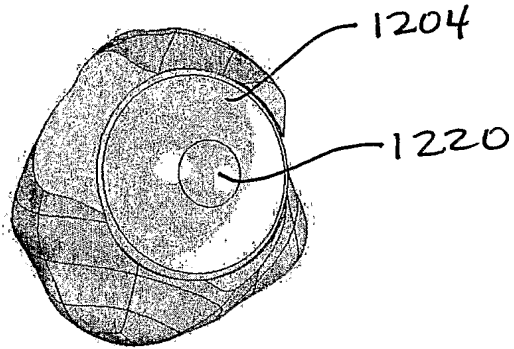


FIG. 12 C

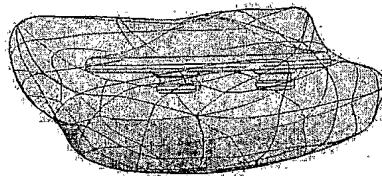


FIG. 12 D

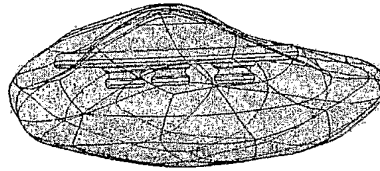


FIG. 12E

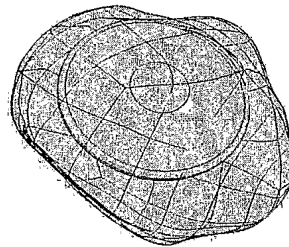


FIG. 12F

INTERNATIONAL SEARCH REPORT

International application No
PCT/US2005/044008

A. CLASSIFICATION OF SUBJECT MATTER
A61B17/17 A61B17/15

According to International Patent Classification (IPC) or to both national classification and IPC

B. FIELDS SEARCHED

Minimum documentation searched (classification system followed by classification symbols)
A61B A61F

Documentation searched other than minimum documentation to the extent that such documents are included in the fields searched

Electronic data base consulted during the international search (name of data base and, where practical, search terms used)

EPO-Internal

C. DOCUMENTS CONSIDERED TO BE RELEVANT

Category*	Citation of document, with indication, where appropriate, of the relevant passages	Relevant to claim No.
X	US 5 129 908 A (PETERSEN ET AL) 14 July 1992 (1992-07-14) column 6, line 38 - column 8, line 35 column 4, line 50 - line 64 figures 1,3,4	1-8
X	US 5 885 298 A (HERRINGTON ET AL) 23 March 1999 (1999-03-23) column 4, line 28 - line 40 column 9, line 33 - column 10, line 9 figure 3	1-3,6
A	US 5 968 051 A (LUCKMAN ET AL) 19 October 1999 (1999-10-19) column 3, line 30 - line 39 figure 1A	

Further documents are listed in the continuation of Box C.

See patent family annex.

* Special categories of cited documents :

- *A* document defining the general state of the art which is not considered to be of particular relevance
- *E* earlier document but published on or after the international filing date
- *L* document which may throw doubts on priority claim(s) or which is cited to establish the publication date of another citation or other special reason (as specified)
- *O* document referring to an oral disclosure, use, exhibition or other means
- *P* document published prior to the international filing date but later than the priority date claimed

- *T* later document published after the international filing date or priority date and not in conflict with the application but cited to understand the principle or theory underlying the invention
- *X* document of particular relevance; the claimed invention cannot be considered novel or cannot be considered to involve an inventive step when the document is taken alone
- *Y* document of particular relevance; the claimed invention cannot be considered to involve an inventive step when the document is combined with one or more other such documents, such combination being obvious to a person skilled in the art.
- *Z* document member of the same patent family

Date of the actual completion of the international search

21 March 2006

Date of mailing of the international search report

30/03/2006

Name and mailing address of the ISA/

European Patent Office, P.B. 5818 Patentlaan 2
NL - 2280 HV Rijswijk
Tel. (+31-70) 340-2040, Tx. 31 651 epo nl,
Fax: (+31-70) 340-3016

Authorized officer

Storer, J

INTERNATIONAL SEARCH REPORT

International application No.
PCT/US2005/044008

Box II Observations where certain claims were found unsearchable (Continuation of item 2 of first sheet)

This International Search Report has not been established in respect of certain claims under Article 17(2)(a) for the following reasons:

- 1. Claims Nos.: 9-13
because they relate to subject matter not required to be searched by this Authority, namely:
Rule 39.1(iv) PCT - Method for treatment of the human or animal body by surgery
- 2. Claims Nos.:
because they relate to parts of the International Application that do not comply with the prescribed requirements to such an extent that no meaningful International Search can be carried out, specifically:
- 3. Claims Nos.:
because they are dependent claims and are not drafted in accordance with the second and third sentences of Rule 6.4(a).

Box III Observations where unity of invention is lacking (Continuation of item 3 of first sheet)

This International Searching Authority found multiple inventions in this international application, as follows:

- 1. As all required additional search fees were timely paid by the applicant, this International Search Report covers all searchable claims.
- 2. As all searchable claims could be searched without effort justifying an additional fee, this Authority did not invite payment of any additional fee.
- 3. As only some of the required additional search fees were timely paid by the applicant, this International Search Report covers only those claims for which fees were paid, specifically claims Nos.:
- 4. No required additional search fees were timely paid by the applicant. Consequently, this International Search Report is restricted to the invention first mentioned in the claims; it is covered by claims Nos.:

Remark on Protest

- The additional search fees were accompanied by the applicant's protest.
- No protest accompanied the payment of additional search fees.

INTERNATIONAL SEARCH REPORT

Information on patent family members

International application No

PCT/US2005/044008

Patent document cited in search report	Publication date	Patent family member(s)	Publication date
US 5129908	A	14-07-1992	NONE
US 5885298	A	23-03-1999	NONE
US 5968051	A	19-10-1999	NONE